

Parts Catalog

SM4268D (1080) Riding Scrubber



PREFACE

Thank you for your purchase of the new industry standard for sweepers. PowerBoss® takes great pride in offering the most dependable, reliable, and best value in industrial power sweepers and scrubbers. We set the standard.

Our Customer Service Department would like to hear from you. If you see any errors, omissions or something that needs clarification in this Parts Catalog, please let us know. We are working hard towards continually improving our processes--to benefit you, our valued customer.

Please copy the form below, fill out and comment on how you found our manual.

Thank you!

The PowerBoss® Team

Name _____

Title: _____

Company Name: _____

Address: _____

Country: _____

Type of equipment or model number: _____

Comments: _____

Please return to:

Customer Service Manager
PowerBoss®, Minuteman International, Inc.
14N845 U.S. Route 20
Pingree Grove, Illinois 60140 USA

Phone: 800-323-9420

Email: tech@powerboss.com

This is the Parts Catalog for the PowerBoss® Armadillo 9X & 9XCE Sweeper Series.
 This Catalog covers the Armadillo 9X & 9XCE machine variations beginning December 2014.
 We believe this machine will provide excellent service for many years.

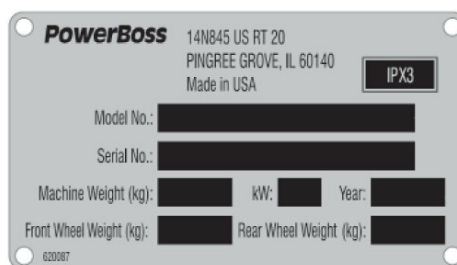
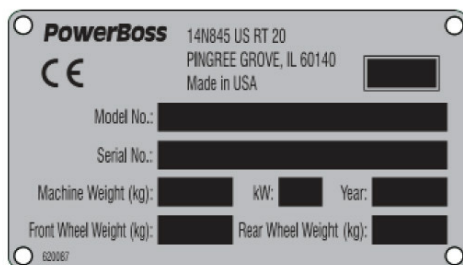
However, the best results will be obtained if:

- The machine is operated with reasonable care.
- The machine is maintained regularly per the maintenance schedule provided in the User Manual.
- The machine is maintained with PowerBoss® supplied or equivalent parts.

All right side and left side references to the machine (except for engine) are determined by facing the direction of forward travel. The front of the engine or engine fan faces the rear of the machine. Some hardware considered to be common or locally available has been omitted from the parts section to make this manual clear. Be sure to use equivalent hardware when replacement becomes necessary.

The Model and Serial Number of your machine is shown on the I.D. name plate. This information is needed when contacting Technical Support or when ordering parts. The I.D. plate is mounted on the console of the machine, left of the operator and adjacent the main broom adjustment access door.

Example I.D Plates:



Parts may be ordered by phone, fax, or email from any PowerBoss® parts and service center. Before ordering parts or supplies, be sure to have your machine model number and serial number handy. For your convenience Fill out the data block on the next page for future reference.

MACHINE DATA
 Fill out at installation

Serial Number: _____

Engine Serial Number: _____

Sales Rep.: _____

Date of Install: _____

All information contained in this catalog is current at the time of printing. PowerBoss®, Minuteman International, Inc. reserves the right to make changes at any time without notice.

PowerBoss®, Minuteman International, Inc., Copyright 2014-2015, Printed in USA.

TECHNICAL SPECIFICATIONS

DIMENSIONS & WEIGHT

STANDARD ABBREVIATIONS

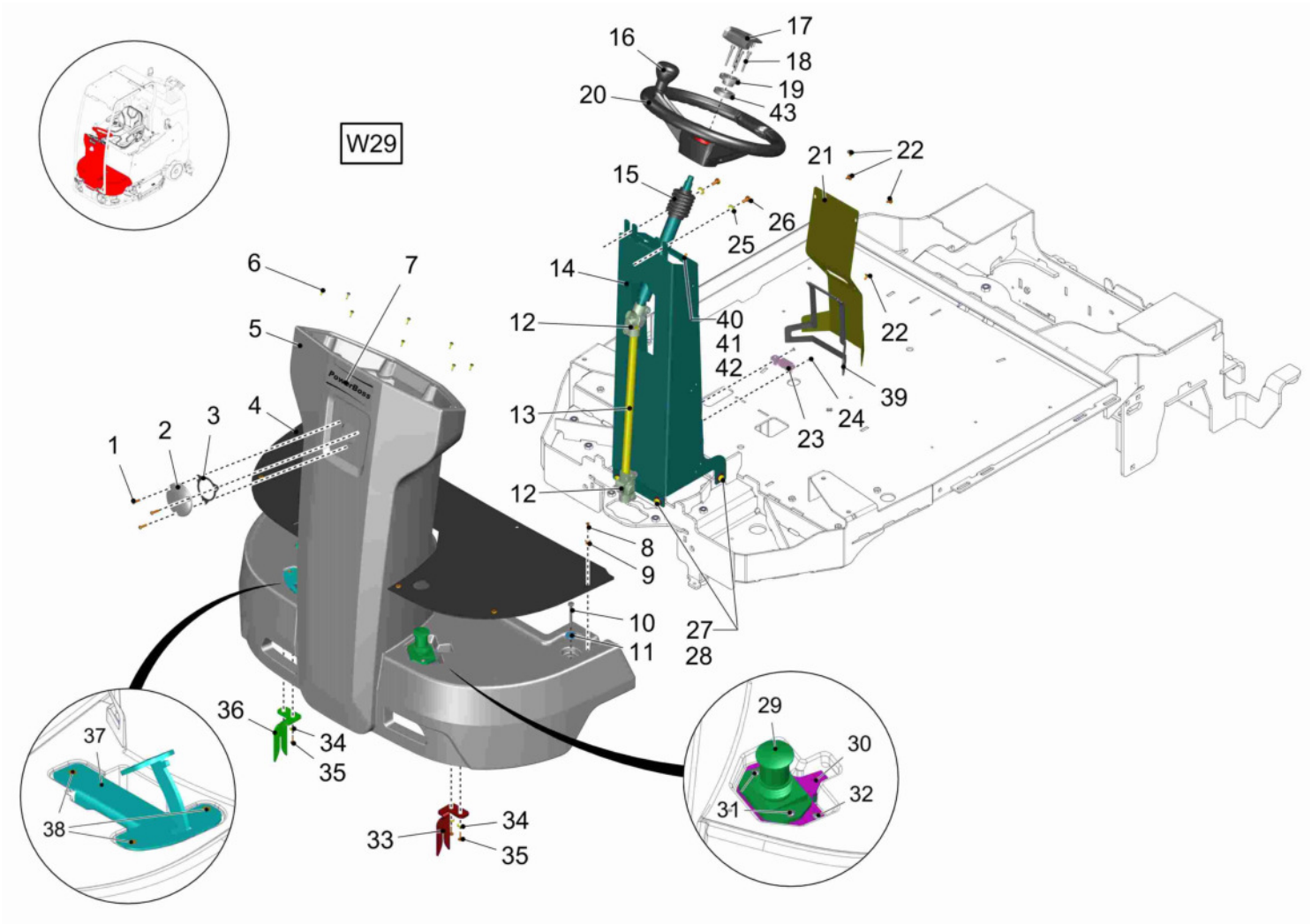
°C-Degrees Celsius	INFO-Information
°F-Degrees Fahrenheit	INT-Internal or Interior
12V-12 Volts DC	LG-Long
AR-Abrasion Resistant	LH-Left Hand
ASSY-Assembly	LPG-Liquefied Petroleum Gas
ATO-Standard Auto Fuse Type Also called ATC	LP-Liquefied Petroleum
BHSCS-Button Head Screw SS	M8x1-Indicates Metric threads, 8mm Dia with a 1mm thread pitch
BLK-Black	MM-Millimeters
BLT-Belt	MNT-Mount
BR-Brass or Broom or Brush	MS-Mld Size
BRM-Broom	OD-Outside Diameter
BRKT-Bracket	PLTD-Plated
CB-Curb Broom	REV-Reverse
CCW-Counter Clockwise	RH-Right Hand
CI-Cubic Inch	ROT-Rotation
CW-Clockwise Rotation	RTR-Rotary Trash Relocator
CYL-Cylinder	SCR-Screw
DEG-Degrees	SC-Scrubber
DIA-Diameter	SP-Service Part
DPDT-Double Pole Double Throw	SPDT-Single Pole Double Throw
ELEC-Electric	SPST-Single Pole Single Throw
ES-Elastic Stop, also Nyloc	SS-Stainless Steel
EXT-Exterior or Extended	STR-Straight
FI-Fuel Injection	ST-Straight
FS-Full Size	SUB-Sub Assembly
FTG-Fitting	THD-Thread
FWD-Forward	THK-Thick
REV-Reverse	THRU-Through
GAL-US Gallon (3.79 Liters)	UNC-Unified Nat'l Coarse Threads
GOV-Governor	UNF-Unified Nat'l Fine Threads
HD-Head	V1505-Kubota Diesel Engine
HD-Heavy Duty	W/-With
HOP-Hopper	WELD-Weldment
HSS-High Speed Steel	W/O-Without
HT-High Temperature	SP-Zinc Plated
HT-Height	
HYD-Hydraulic	
ID-Identification	
ID-Inside Diameter	
IMP-Impeller	

Table of Contents

Operation area (97145593 7182-70)	7
Chassis (97145585 7182-70)	24
Water system (97145627 7182-70)	36
Elektric system (97145635 7182-70)	54
Tank (97145601 7182-70)	74
Working tools (97145619 7182-70)	118
Mounting of equipment and superstructures (97145643 7182-70)	153

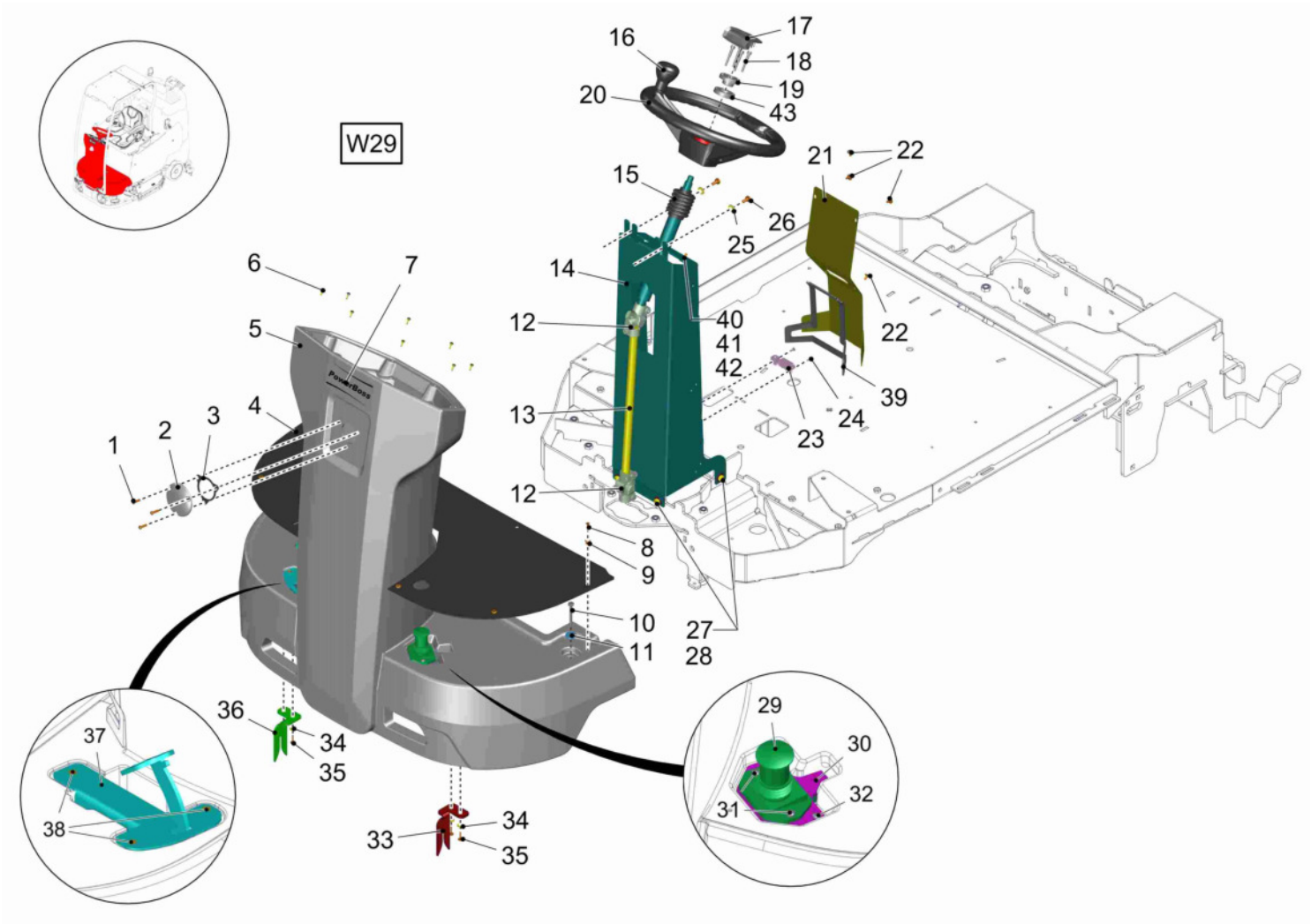
Operation area (97145593 7182-70)

Assembly	Description	Page
97152599 7182-70	Control console	8
97152730	Control panel	16
97156210	Seat group - seat variants	18
97156228	Operation area - covering for electric equipment	22



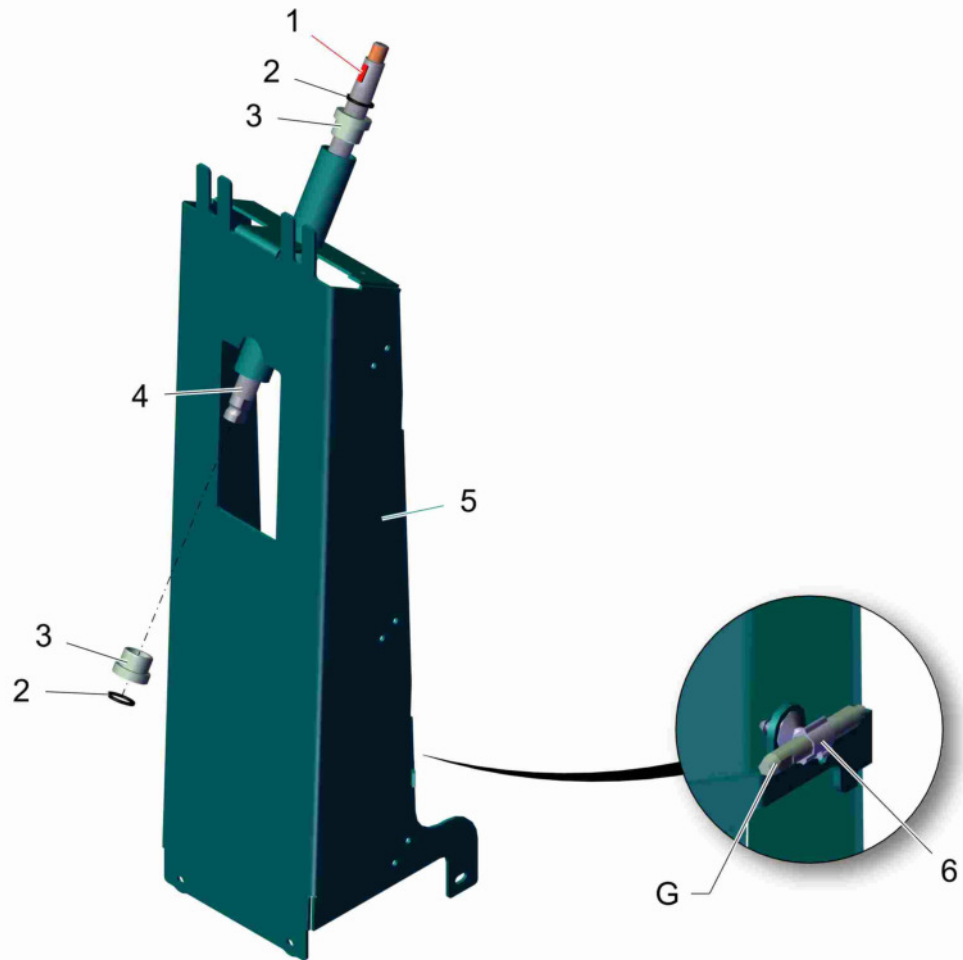
Control console (97152599 7182-70) -->

Item	Part number	Description	Qty.	Unit	Remarks
1	01078160	Screw	3		
2	01375240	cap	1		
3	01072000	Seal	1		
4	01376510	floor mat	1		
5	03021510	console terminal	1		
6	01136860	Countersunk screw	8		
7	03008970	Decal POWERBOSS	1		
8	01073120	Amtec screw	6		
9	01073130	Knob	6		
10	00053130	Hexagon screw	2		
11	00047990	Disk wheel	2		
12	00746040	Cardan joint	2		
13	01376500	shaft	1		
14	97135206	Steering system	Page	12	
15	01054880	Bellows	1		
16	01370020	knob	1		
17	01375260	steering wheel cab	1		
18	01382410	socket head screw	1		
19	01382520	flange	1		
20	01371160	steering wheel	1		
21	01372830	cover	1		
22	01072520	Lens flange screw	5		
23	03021720	wiring harness W3	1		illustrated content: OBDII-socket
24	01112160	Screw	2		
25	00740090	Detent edged washer	2		
26	00053080	Hexagon screw	2		
27	01272710	Lens head screw	4		
28	00740080	Washer	4		
29	01145750	Foot switch	1		
30	01372900	plate	1		
31	00959220	Screw	2		
32	01078160	Screw	2		
33	01376310	assembling aid L.H.	1		
34	00730940	Detent edged washer	4		
35	01074430	Screw	4		



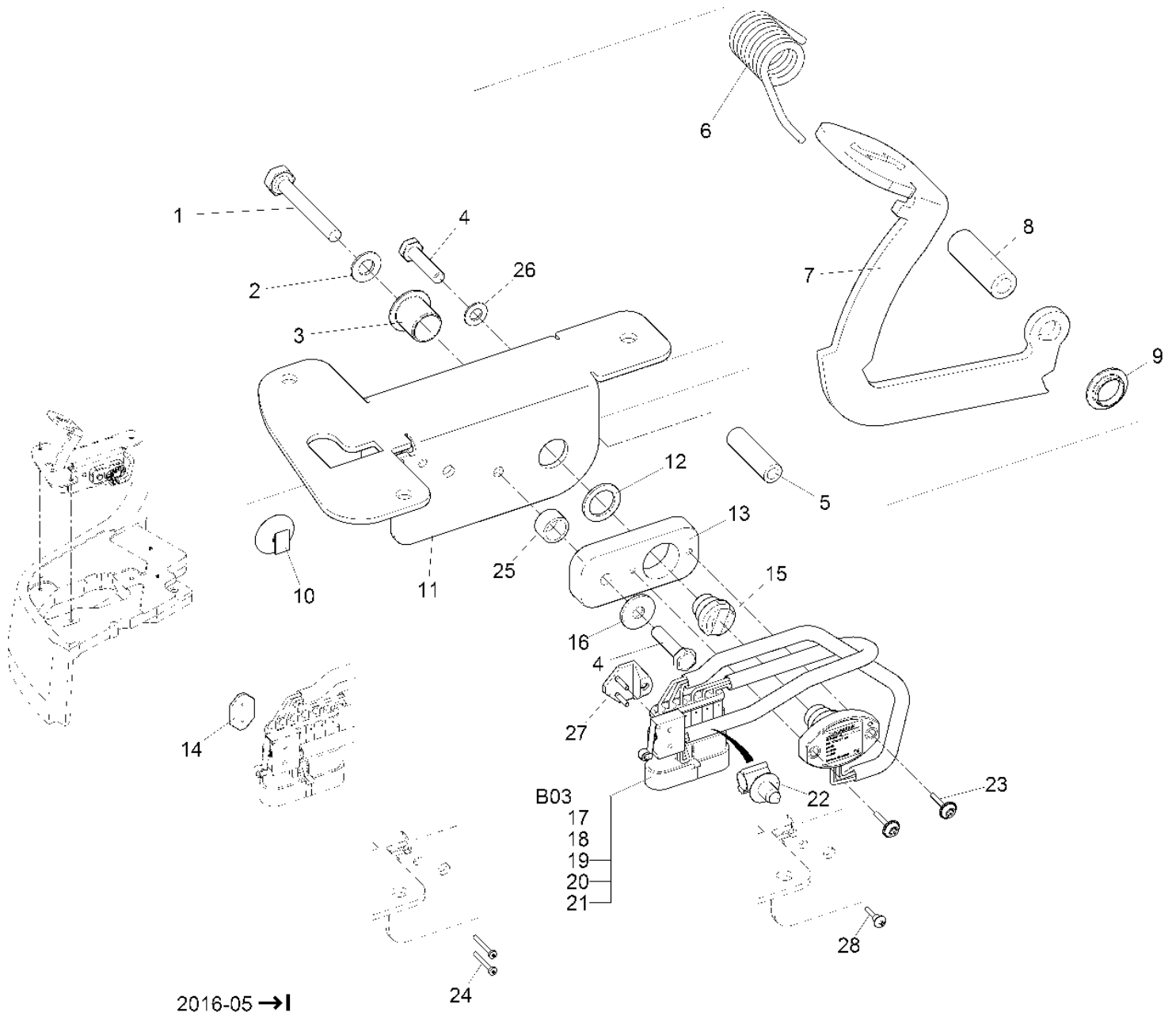
Control console (97152599 7182-70) -->

Item	Part number	Description	Qty.	Unit	Remarks
36	01376260	assembling aid R.H.	1		
37	01378020	drive sensor	Page	14	
38	01133380	Countersunk screw	3		
39	01372090	gasket	1		
40	00102140	Hex. Nut	1		
41	01072030	Toothed washer	1		
42	01071890	Hex.bolt	1		
43	01382630	ring	1		
W29	03020450	wiring harness W29	1		



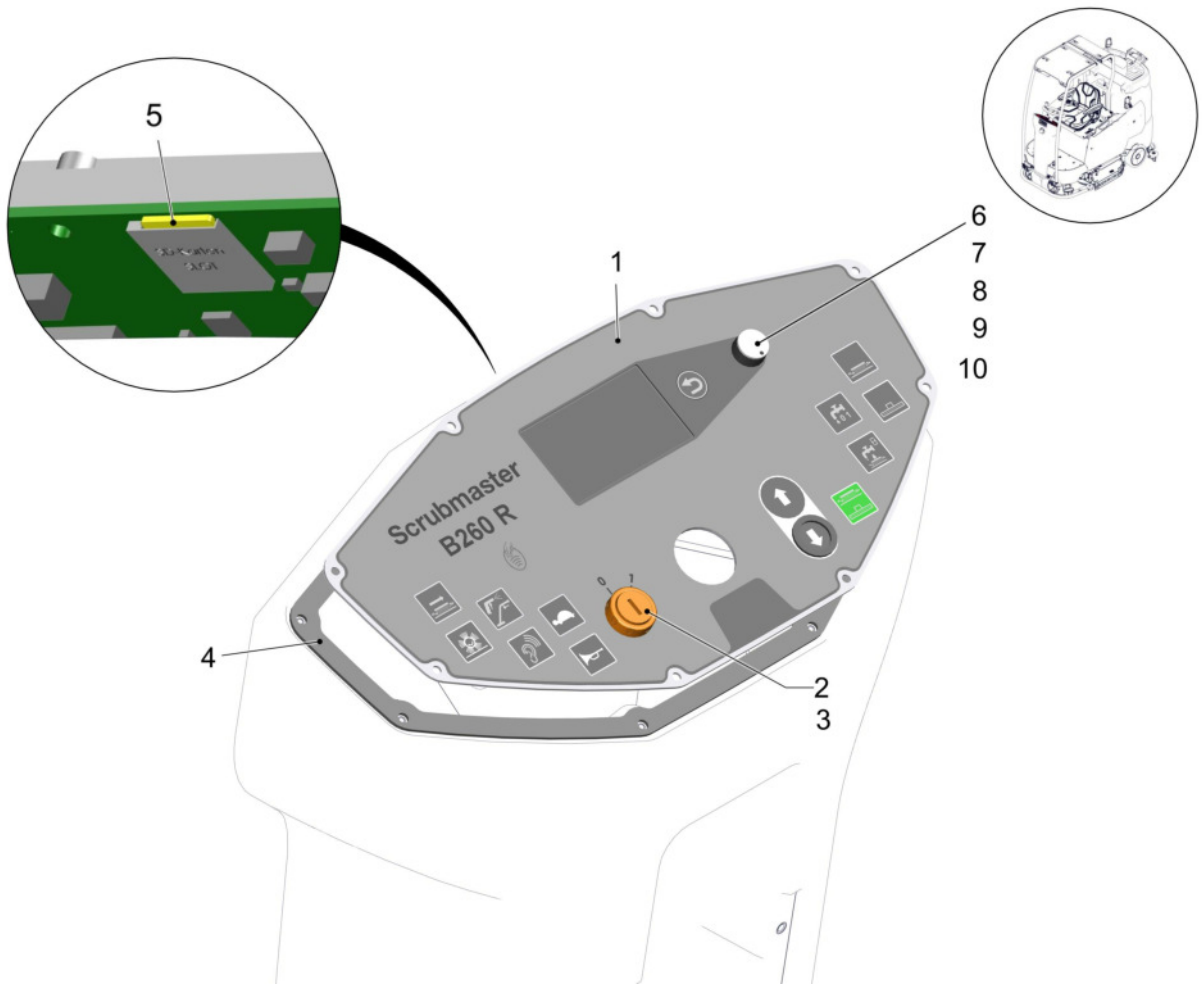
Steering system (97135206) -->

Item	Part number	Description	Qty.	Unit	Remarks
1	00701170	Woodruff key	1		
2	00554400	O-ring oil resistant	2		
3	00523630	Bushing	2		
4	01373910	shaft	1		
5	03020220	steering holder	1		
6	01493500	Retainer	1		
G	-	Not supplied alone!			handle to solve brake of drive unit



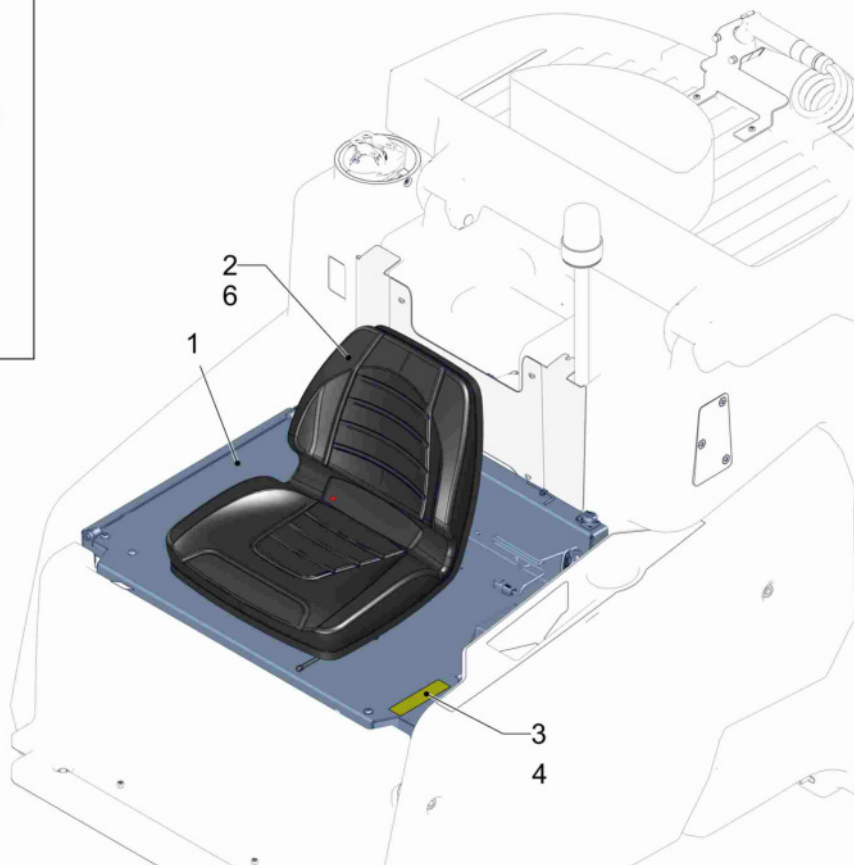
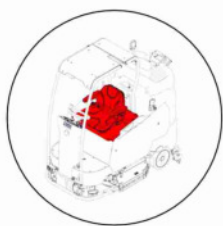
drive sensor (01378020) -->

Item	Part number	Description	Qty.	Unit	Remarks
1	00523790	Hex.bolt	1		
2	00101550	Washer	1		
3	00740190	Slide bearing bush	1		
4	00133130	Screw	2		
5	01064890	Hose	0,040		
6	01277850	Leg spring	1		
7	01372710	accelerator pedal	1		
8	01372690	clamping bush	1		
9	01055150	Slide bearing bush	1		
10	01278080	Mounting clip	1		
11	01372700	pedal retainer	1		
12	01372160	starting disk	1		
13	01372170	retainer	1		
14	01473610	Threaded plate	1		til appr. 2016-05
15	---	Spare part on request	1		96145941 Solenoid retainer
16	00854210	Washer	1		
17	01006190	Seal	6		
18	01141370	Hose	0,420		
19	00696680	Micro switch	1		
20	03003250	Pin housing	1		
21	01006210	Pin contact	6		
22	01493500	Retainer	1		
23	01078860	Screw	2		
24	01141220	Lens head screw	2		til appr. 2016-05
25	00901550	Bushing	1		
26	00053730	Washer	1		
27	01372180	retainer	1		from appr. 2016-06
28	00902430	Screw	1		from appr. 2016-06
B03	01277740	Angle sensor	1		incl. pos. 17-21!



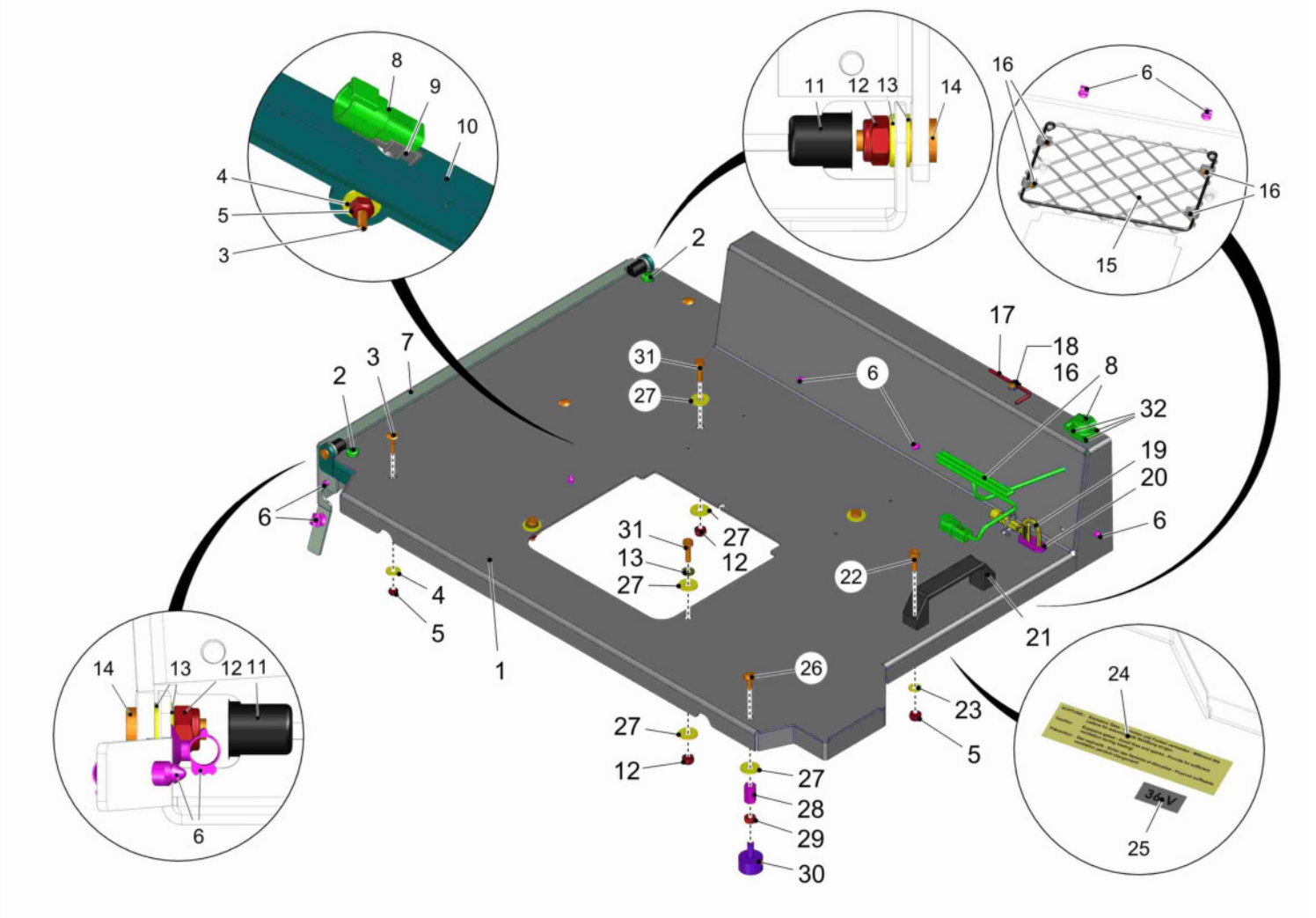
Control panel (97152730) -->

Item	Part number	Description	Qty.	Unit	Remarks
1	01376040	dash board	1		
2	00021710	Key switch	1		
3	00745890	Set (2pc.) key	1		
4	01372000	gasket	1		
5	01374870	smart card	1		
6	01379950	gasket	1		
7	01379960	bushing	1		
8	01379970	connection cable DDS	1		
9	01379980	control panel	1		
10	01379990	turning knob	1		



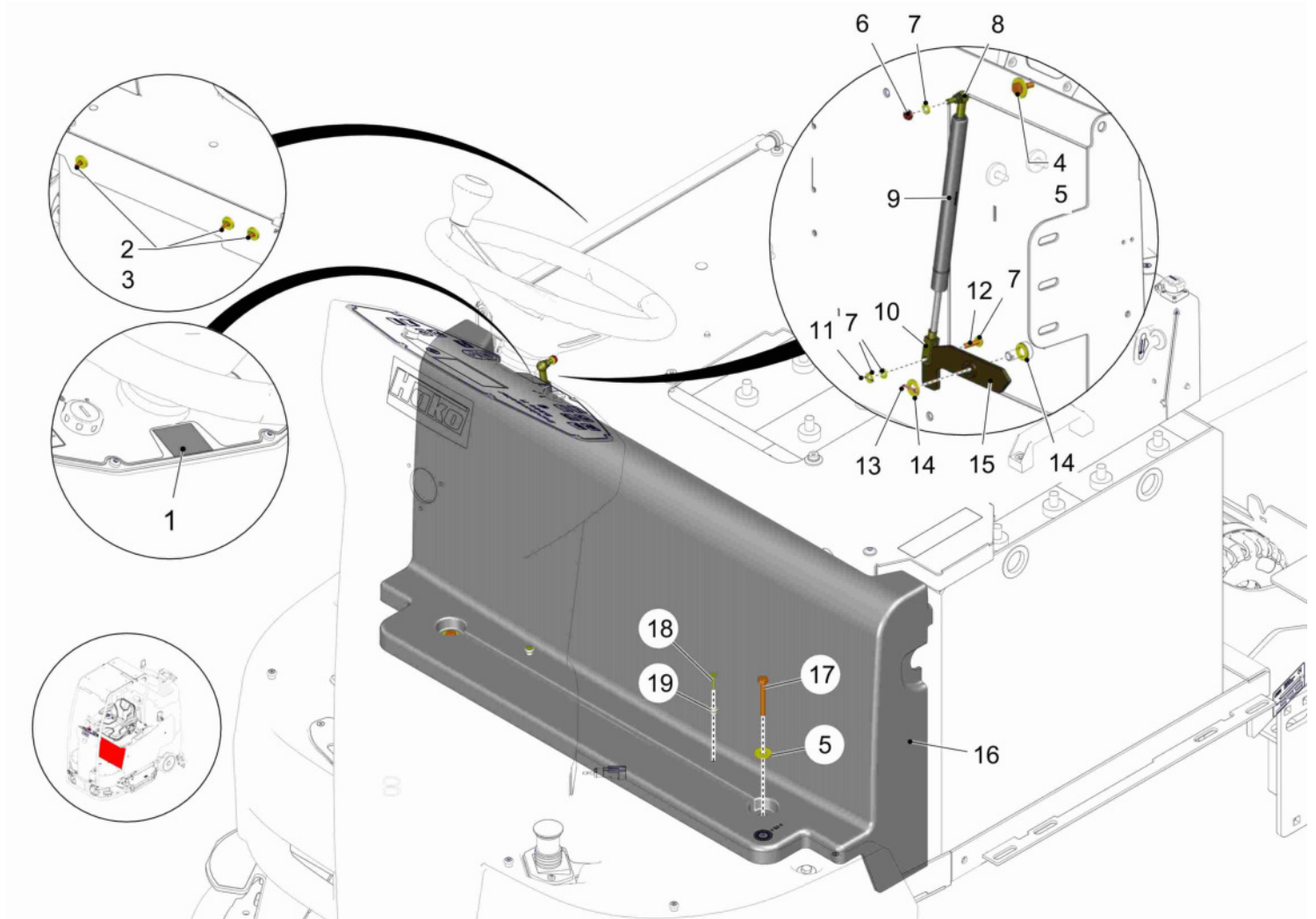
Seat group - seat variants (97156210) -->

Item	Part number	Description	Qty.	Unit	Remarks
1	97149751	Seat plate	Page	20	
2	01277650	seat	1		
3	01371840	decal SIGN_GRADE 6	1		6%
4	01376870	decal GRADE 15	1		15%
5	01370010	driver seat	1		
6	01277700	Seat contact switch	1		



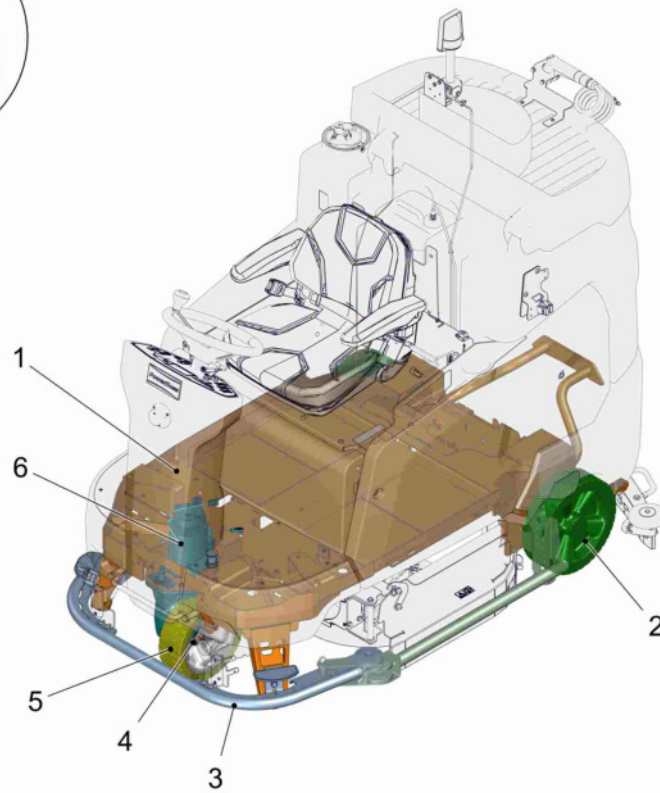
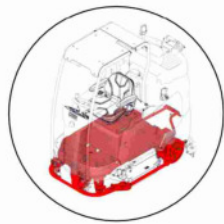
Seat plate (97149751) -->

Item	Part number	Description	Qty.	Unit	Remarks
1	03021350	seat flap	1		
2	01272710	Lens head screw	2		
3	01221580	Round head screw	3		
4	00854210	Washer	3		
5	00102140	Hex. Nut	3		
6	01493500	Retainer	10		
7	01375380	hinge basic	1		
8	01371470	USB charging connection	1		
9	01371260	mounting clip DEUTSCH-connector	1		
10	01375850	frame	1		
11	00874930	Lens cap	2		
12	00051510	Hex. Nut	8		
13	00101550	Washer	4		
14	00154410	Cylinder head screw	2		
15	01172540	Luggage rack	1		
16	00501420	Screw	5		
17	---	Spare part on request	1		92017755 socket head wrench
18	00903290	Tube clamp	1		
19	00071900	Key	1		
20	00028800	Socket	1		
21	01102910	Grasp	1		
22	00045540	Cylinder head screw	2		
23	00053750	Washer	4		
24	01174740	Decal explosive gazes	1		
25	01371680	decal 36 V	1		
26	01074320	Lens flange screw	1		
27	00042900	Washer	9		
28	00744340	Hex. Nut	1		
29	00053350	Hex. Nut	1		
30	00538440	Buffer	1		
31	00102790	Cylinder head screw	4		
32	01110570	Screw	4		



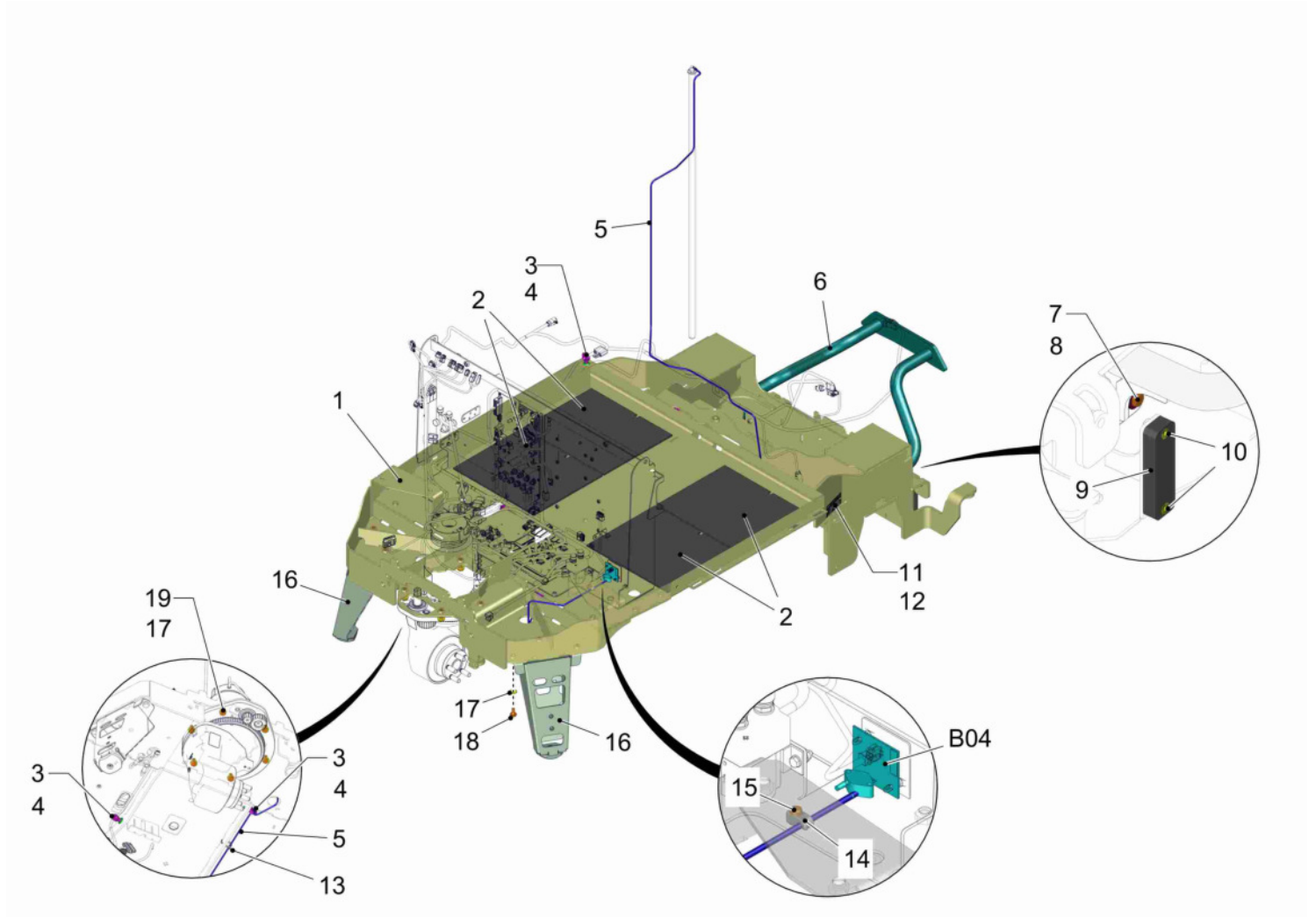
Operation area - covering for electric equipment (97156228) -->

Item	Part number	Description	Qty.	Unit	Remarks
1	03019480	adhesive label	1		
2	00053090	Hexagon screw	3		
3	00047990	Disk wheel	3		
4	00704610	Hex.bolt	2		
5	00042900	Washer	4		
6	00051520	Hex. Nut	1		
7	00053730	Washer	4		
8	01166800	Hinged joint	1		
9	01375300	gas-pressurized spring	1		
10	00851570	Swivel head	1		
11	00534540	Cotter pin	1		
12	00705580	Bolt	1		
13	00551410	Cotter pin	1		
14	00053760	Washer	2		
15	01375800	rocker	1		
16	01376240	covering	1		
17	00053130	Hexagon screw	2		
18	01073120	Amtec screw	2		
19	01073130	Knob	2		



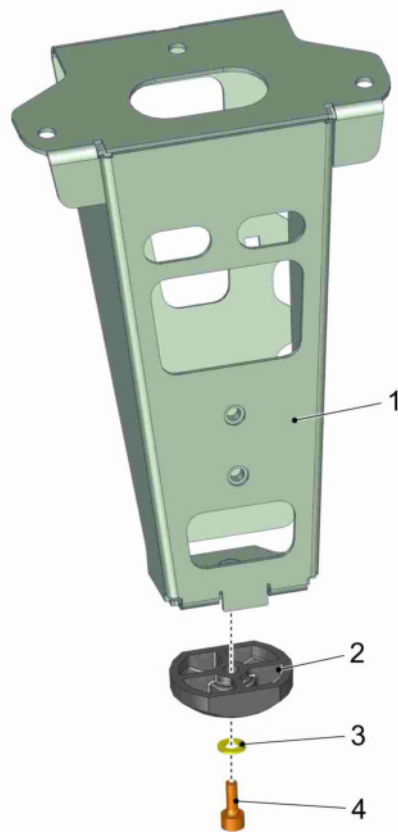
Chassis (97145585 7182-70) -->

Item	Part number	Description	Qty.	Unit	Remarks
1	97147839	Chassis	Page	26	
2	97153290	Rear axle, not driven	Page	30	
3	97144836	Front bumper disk brush head 1080	Page	32	
4	00156320	Spherical collar nut	5		With every exchange of wheel exchange the nuts, too, please!
5	01375070	wheel, oil resistant, non-marking	1		
6	01371270	traction drive AC 36V 1,9kW	1		



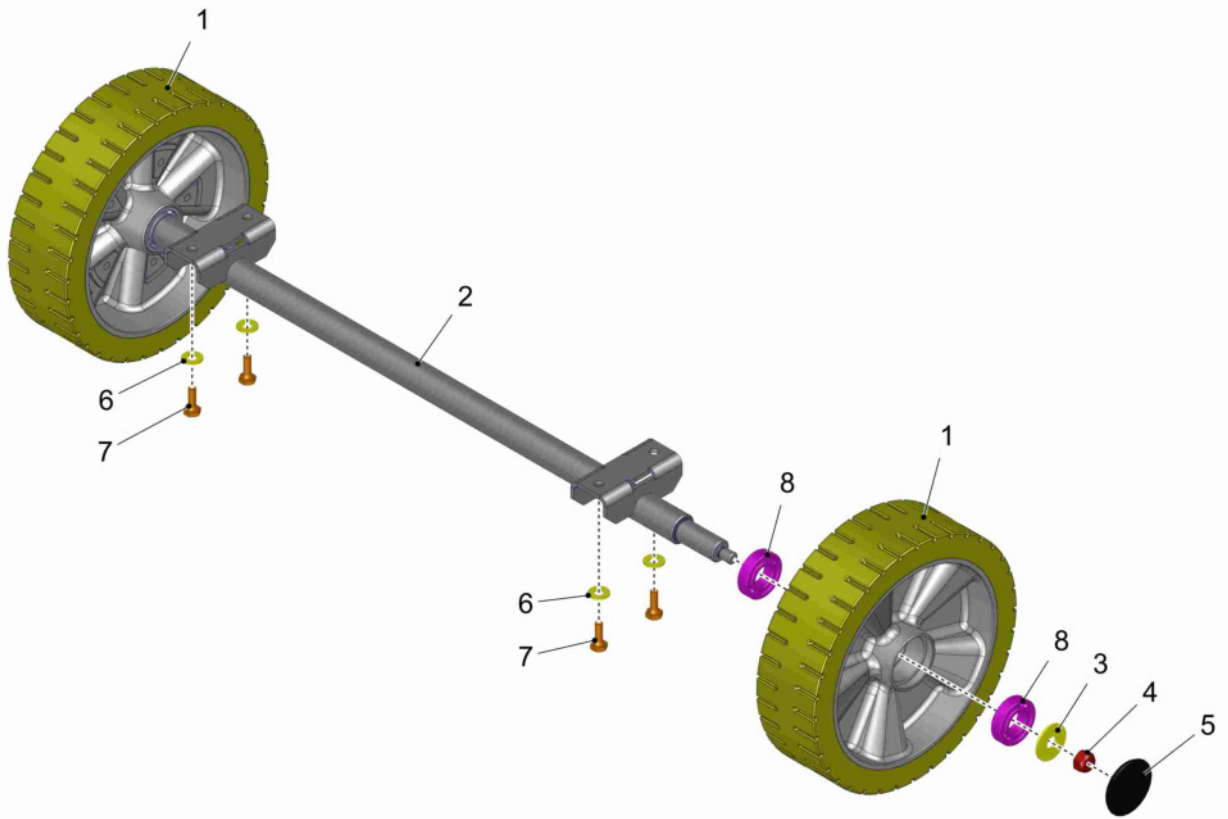
Chassis (97147839) -->

Item	Part number	Description	Qty.	Unit	Remarks
1	03021330	chassis B260 R	1		
2	01371760	mat	4		
3	01370250	retainer	4		
4	01370240	mounting feet	4		
5	01372290	hose	2,750		
6	01375720	bumper rear	1		
7	00053090	Hexagon screw	2		
8	00740080	Washer	2		
9	01372250	buffer	2		
10	00508990	Countersunk screw	4		
11	01073780	Nameplate	1		
12	00131600	Rivet	2		
13	00967760	Cable tie	1		
14	00100550	Clamp	1		
15	00959220	Screw	1		
16	97147284	Stay base	Page	28	
17	00740290	Detent edged washer	12		
18	00021130	Hex.bolt	6		
19	00053160	Hexagon screw	6		
B04	01371480	pressure sensor	1		fresh water sensor



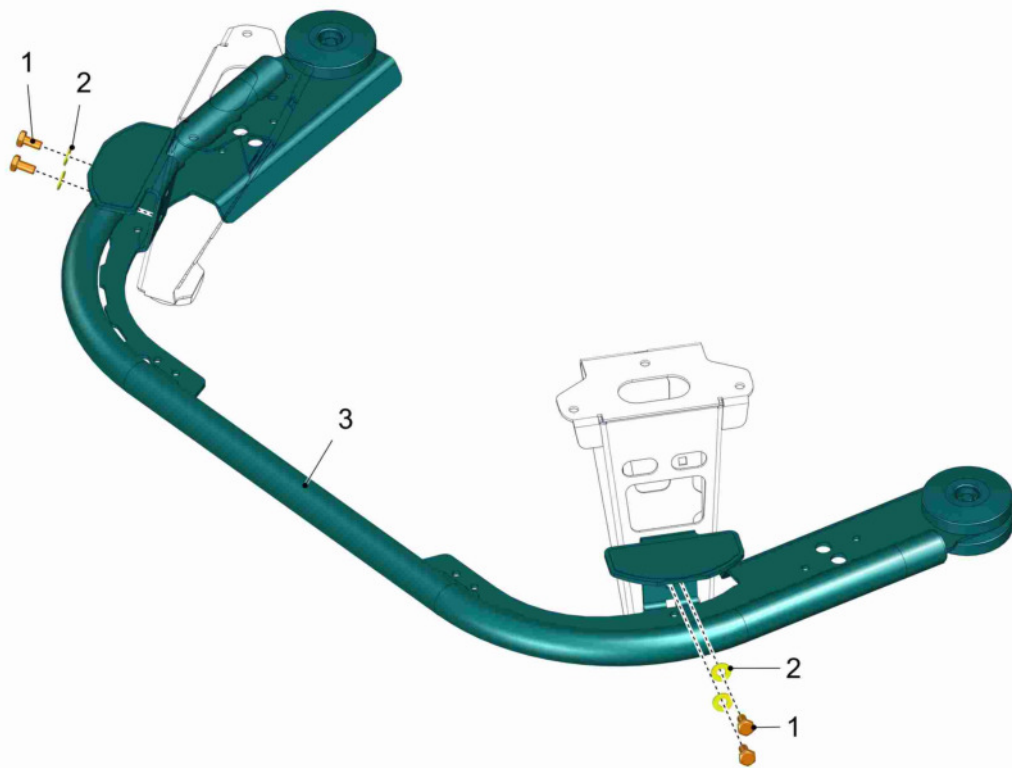
Stay base (97147284) -->

Item	Part number	Description	Qty.	Unit	Remarks
1	01375690	support	1		
2	01371320	stay	1		
3	00740310	Washer	1		
4	00045540	Cylinder head screw	1		



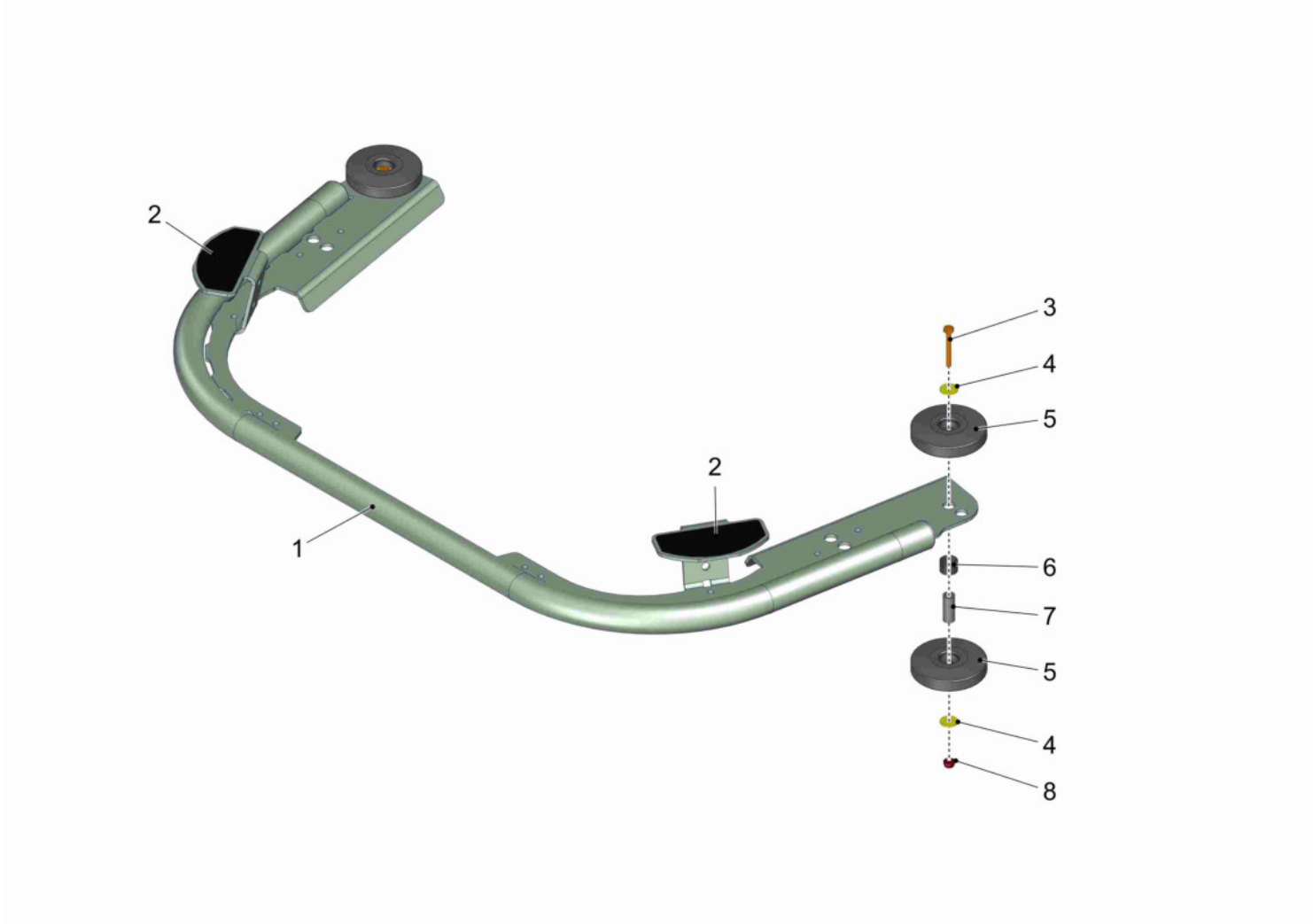
Rear axle, not driven (97153290) -->

Item	Part number	Description	Qty.	Unit	Remarks
1	01375820	driving wheel	2		incl. item 8
2	03021400	axle	1		
3	00954200	Washer	2		
4	00135350	Hex. Nut	2		
5	01380260	sealing plug	2		
6	00875950	Washer	4		
7	00053200	Hex.bolt	4		
8	00150290	Deep groove ball bearing	2		content of item 1



Front bumper disk brush head 1080 (97144836) -->

Item	Part number	Description	Qty.	Unit	Remarks
1	00021130	Hex.bolt	4		
2	00740290	Detent edged washer	4		
3	97155154	Bumper 1080	Page	34	



Bumper 1080 (97155154) -->

Item	Part number	Description	Qty.	Unit	Remarks
1	01375450	bumper	1		
2	01372260	decal	2		
3	00053130	Hexagon screw	2		
4	00042900	Washer	4		
5	01171790	Deflector roller	4		
6	01228800	Hose	0,016		
7	00975110	Bushing	2		
8	00051510	Hex. Nut	2		

PREFACE

Thank you for your purchase of the new industry standard for sweepers. PowerBoss® takes great pride in offering the most dependable, reliable, and best value in industrial power sweepers and scrubbers. We set the standard.

Our Customer Service Department would like to hear from you. If you see any errors, omissions or something that needs clarification in this Parts Catalog, please let us know. We are working hard towards continually improving our processes--to benefit you, our valued customer.

Please copy the form below, fill out and comment on how you found our manual.

Thank you!

The PowerBoss® Team

Name _____

Title: _____

Company Name: _____

Address: _____

Country: _____

Type of equipment or model number: _____

Comments: _____

Please return to:

Customer Service Manager
PowerBoss®, Minuteman International, Inc.
14N845 U.S. Route 20
Pingree Grove, Illinois 60140 USA

Phone: 800-323-9420

Email: tech@powerboss.com

This is the Parts Catalog for the PowerBoss® Armadillo 9X & 9XCE Sweeper Series.
 This Catalog covers the Armadillo 9X & 9XCE machine variations beginning December 2014.
 We believe this machine will provide excellent service for many years.

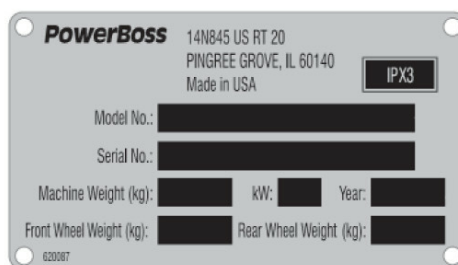
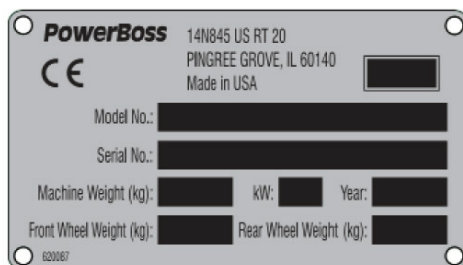
However, the best results will be obtained if:

- The machine is operated with reasonable care.
- The machine is maintained regularly per the maintenance schedule provided in the User Manual.
- The machine is maintained with PowerBoss® supplied or equivalent parts.

All right side and left side references to the machine (except for engine) are determined by facing the direction of forward travel. The front of the engine or engine fan faces the rear of the machine. Some hardware considered to be common or locally available has been omitted from the parts section to make this manual clear. Be sure to use equivalent hardware when replacement becomes necessary.

The Model and Serial Number of your machine is shown on the I.D. name plate. This information is needed when contacting Technical Support or when ordering parts. The I.D. plate is mounted on the console of the machine, left of the operator and adjacent the main broom adjustment access door.

Example I.D Plates:



Parts may be ordered by phone, fax, or email from any PowerBoss® parts and service center. Before ordering parts or supplies, be sure to have your machine model number and serial number handy. For your convenience Fill out the data block on the next page for future reference.

MACHINE DATA
 Fill out at installation

Serial Number: _____

Engine Serial Number: _____

Sales Rep.: _____

Date of Install: _____

All information contained in this catalog is current at the time of printing. PowerBoss®, Minuteman International, Inc. reserves the right to make changes at any time without notice.

PowerBoss®, Minuteman International, Inc., Copyright 2014-2015, Printed in USA.

TECHNICAL SPECIFICATIONS

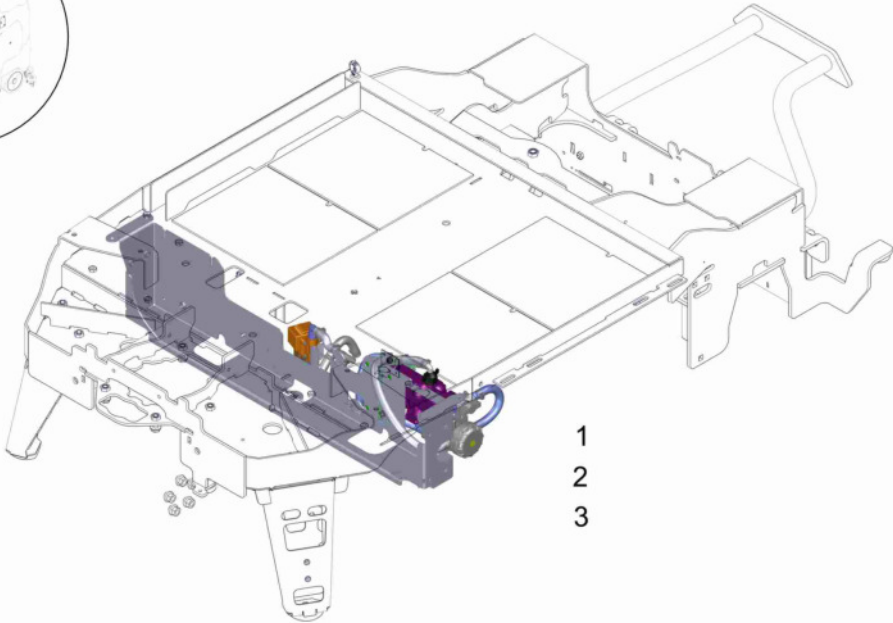
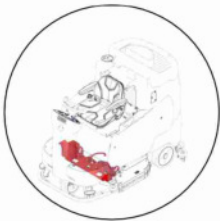
DIMENSIONS & WEIGHT

STANDARD ABBREVIATIONS

°C-Degrees Celsius	INFO-Information
°F-Degrees Fahrenheit	INT-Internal or Interior
12V-12 Volts DC	LG-Long
AR-Abrasion Resistant	LH-Left Hand
ASSY-Assembly	LPG-Liquefied Petroleum Gas
ATO-Standard Auto Fuse Type Also called ATC	LP-Liquefied Petroleum
BHSCS-Button Head Screw SS	M8x1-Indicates Metric threads, 8mm Dia with a 1mm thread pitch
BLK-Black	MM-Millimeters
BLT-Belt	MNT-Mount
BR-Brass or Broom or Brush	MS-Mld Size
BRM-Broom	OD-Outside Diameter
BRKT-Bracket	PLTD-Plated
CB-Curb Broom	REV-Reverse
CCW-Counter Clockwise	RH-Right Hand
CI-Cubic Inch	ROT-Rotation
CW-Clockwise Rotation	RTR-Rotary Trash Relocator
CYL-Cylinder	SCR-Screw
DEG-Degrees	SC-Scrubber
DIA-Diameter	SP-Service Part
DPDT-Double Pole Double Throw	SPDT-Single Pole Double Throw
ELEC-Electric	SPST-Single Pole Single Throw
ES-Elastic Stop, also Nyloc	SS-Stainless Steel
EXT-Exterior or Extended	STR-Straight
FI-Fuel Injection	ST-Straight
FS-Full Size	SUB-Sub Assembly
FTG-Fitting	THD-Thread
FWD-Forward	THK-Thick
REV-Reverse	THRU-Through
GAL-US Gallon (3.79 Liters)	UNC-Unified Nat'l Coarse Threads
GOV-Governor	UNF-Unified Nat'l Fine Threads
HD-Head	V1505-Kubota Diesel Engine
HD-Heavy Duty	W/-With
HOP-Hopper	WELD-Weldment
HSS-High Speed Steel	W/O-Without
HT-High Temperature	SP-Zinc Plated
HT-Height	
HYD-Hydraulic	
ID-Identification	
ID-Inside Diameter	
IMP-Impeller	

Table of Contents

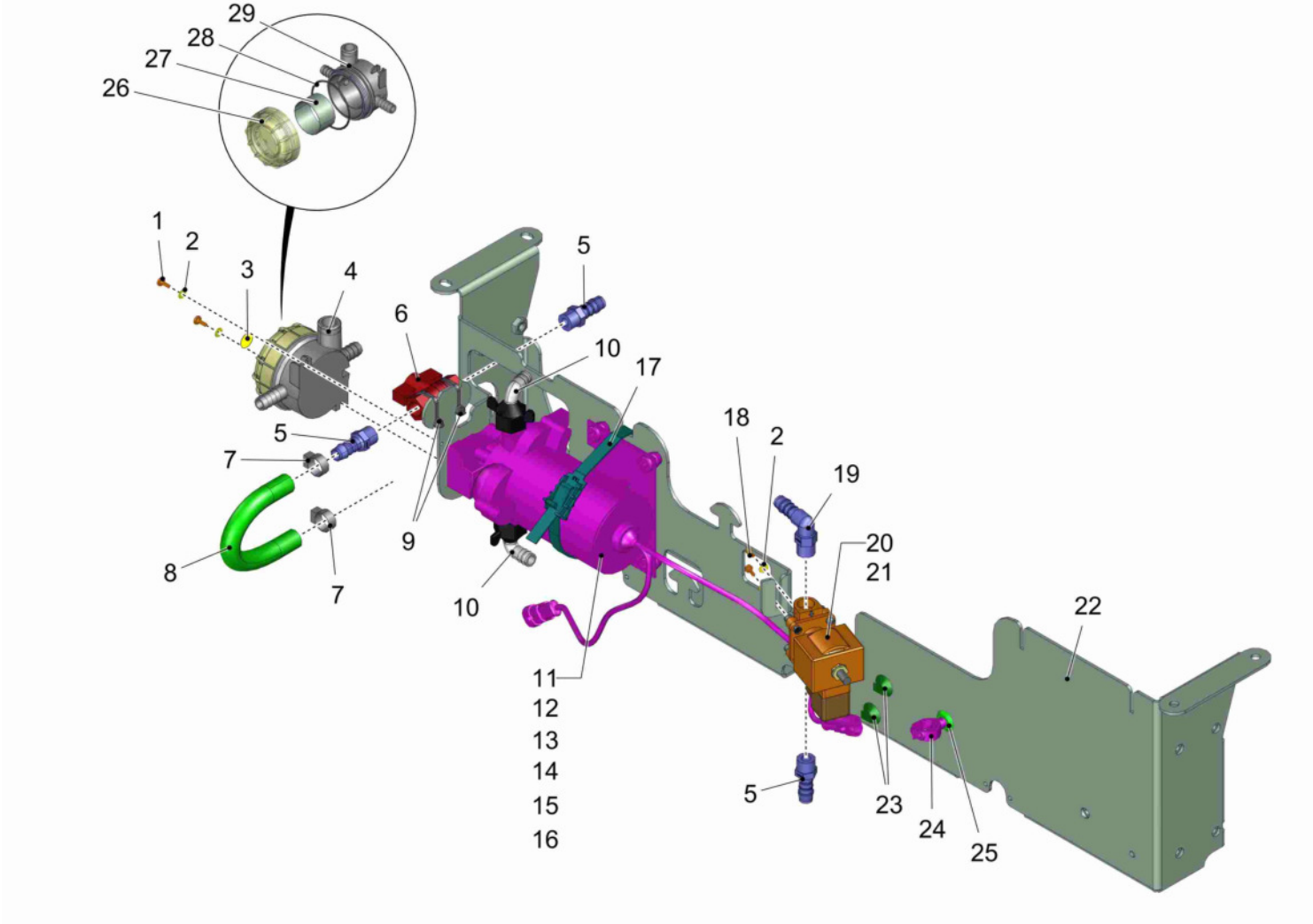
Water plate (97143879 7182-70)	41
Tank connection water system (97155287)	50
Preliminary parts for spraying tools (97155258)	52



- 1
- 2
- 3

Water plate (97143879 7182-70) -->

Item	Part number	Description	Qty.	Unit	Remarks
1	97143861	Water plate - base	Page	43	
2	97155279	Without option onboard solution dosage but with spraying tools	Page	46	
3	97159990	with disk brush head- 2 brushes	Page	48	

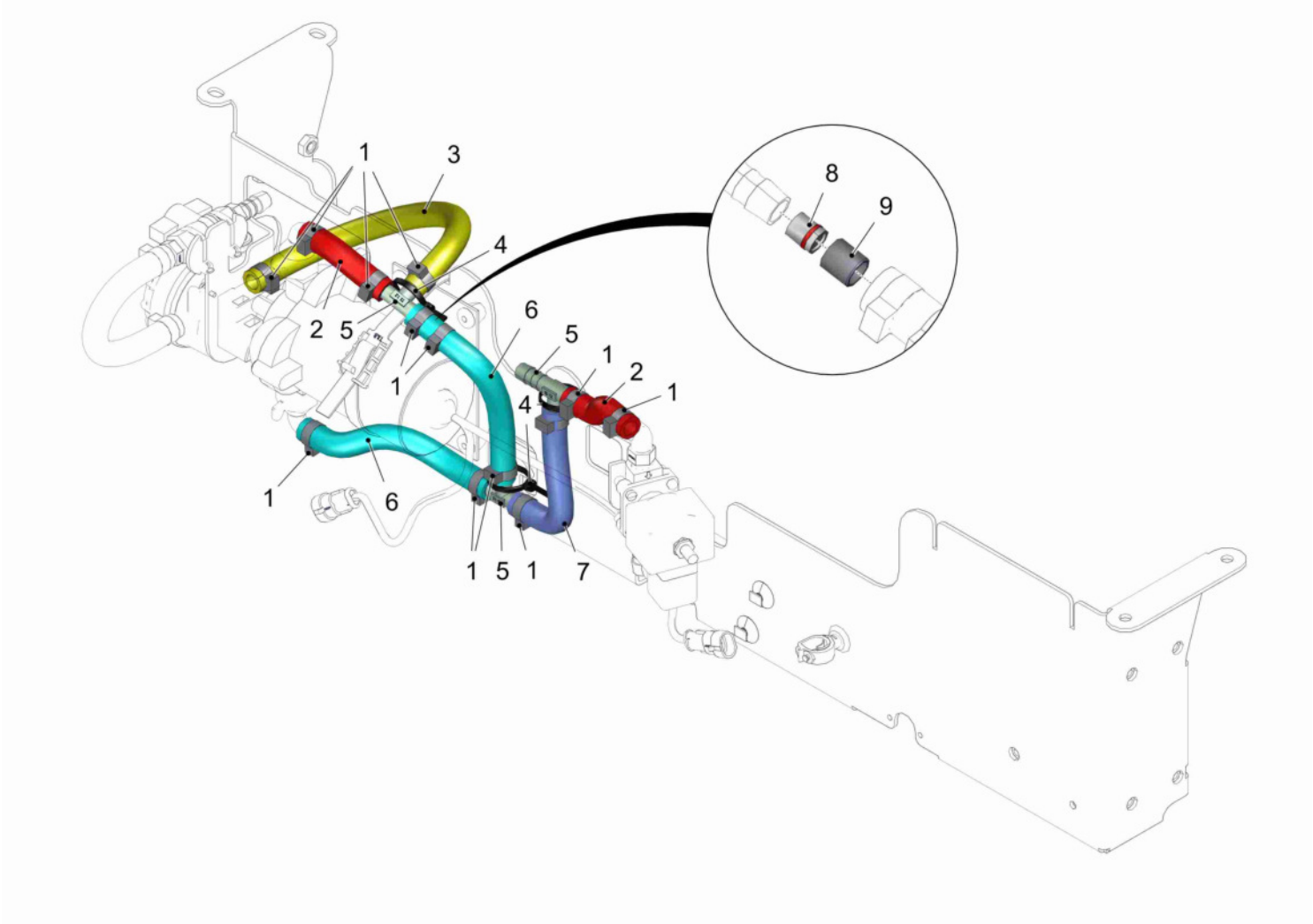


Water plate - base (97143861) -->

Item	Part number	Description	Qty.	Unit	Remarks
1	01112160	Screw	2		
2	00053710	Washer	4		
3	01179160	Decal yellow point	1		
4	01077170	Water filter	1		incl. items 26-29
5	00976140	Screwed plug	3		
6	00952760	Ball tap	1		
7	01376430	hose clamp	2		
8	00112010	Hose	0,180		
9	00967760	Cable tie	2		
10	00154140	Screwed angle fitting	2		
11	00543750	Pump	1		
12	01135470	pin housing	1		
13	01063790	Pin contact	2		
14	00903580	Gasket	2		
15	00903190	Flat connector	1		
16	01052080	Valve plate;\nTake double click on pos.no.for options!	Page	45	
17	01073340	Cable tie	1		
18	00058580	Hex.bolt	2		
19	00020020	Angle socket	1		
20	01071000	Electrovalve	1		
21	01371990	valve connector	1		
22	01375790	sheet metal	1		
23	01278080	Mounting clip	2		
24	01370250	retainer	1		
25	01370240	mounting feet	1		
26	01177090	Filter cover	1		
27	01178210	Strainer	1		
28	01178130	O-ring	1		
29	-	Not supplied alone!			order water filter cpl., please (item 4)

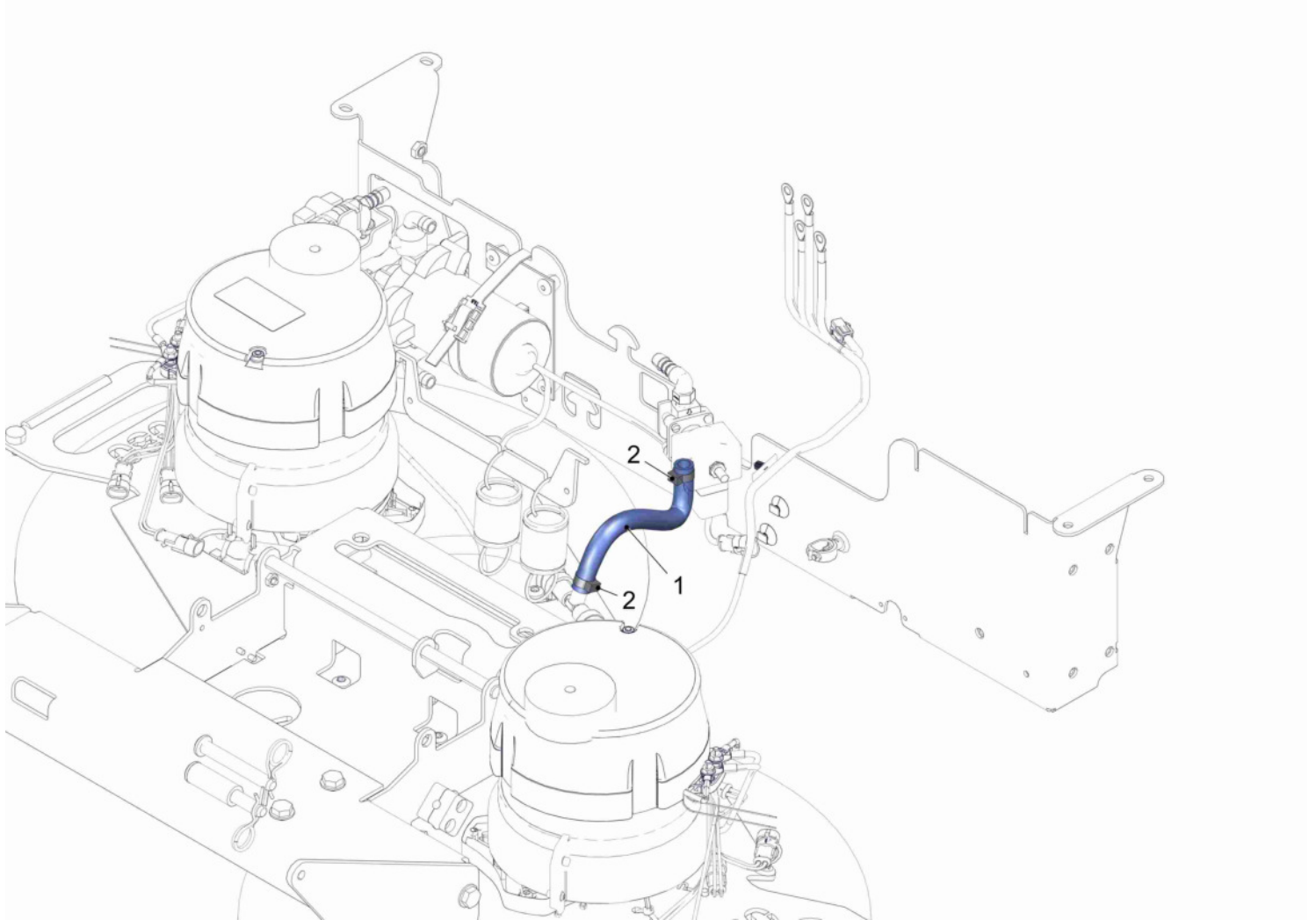
Valve plate;\nTake double click on pos.no.for options! (01052080) -->

Item	Part number	Description	Qty.	Unit	Remarks
1	01059890	Valve plate, oil resistant			



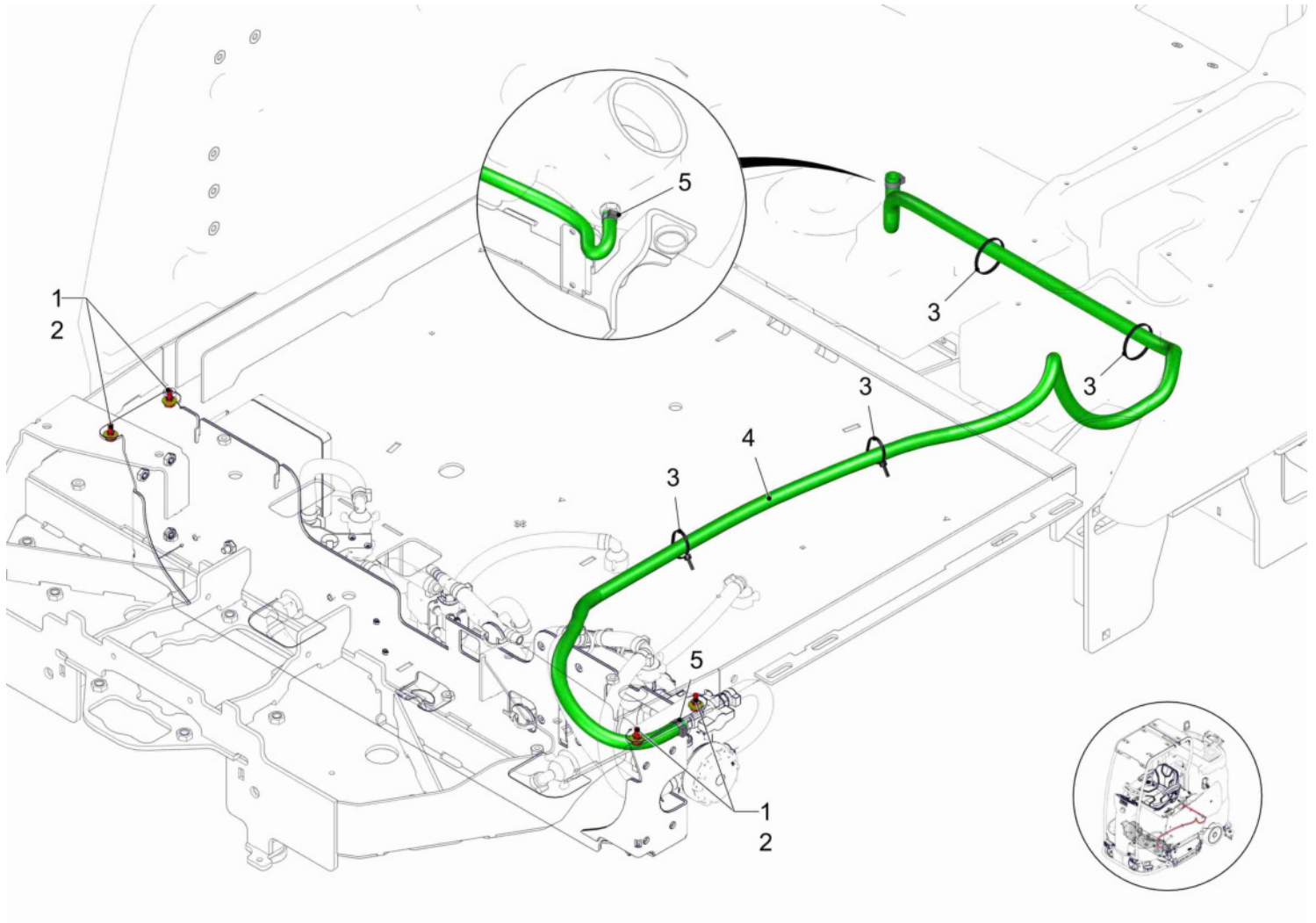
Without option onboard solution dosage but with spraying tools (97155279) -->

Item	Part number	Description	Qty.	Unit	Remarks
1	01376430	hose clamp	13		
2	00112010	Hose	0,080		
3	00112010	Hose	0,320		
4	00967760	Cable tie	3		
5	00976160	T-piece	3		
6	00112010	Hose	0,180		
7	00112010	Hose	0,140		
8	01371810	recycling stop	1		
9	01372620	plain bearing bush	1		



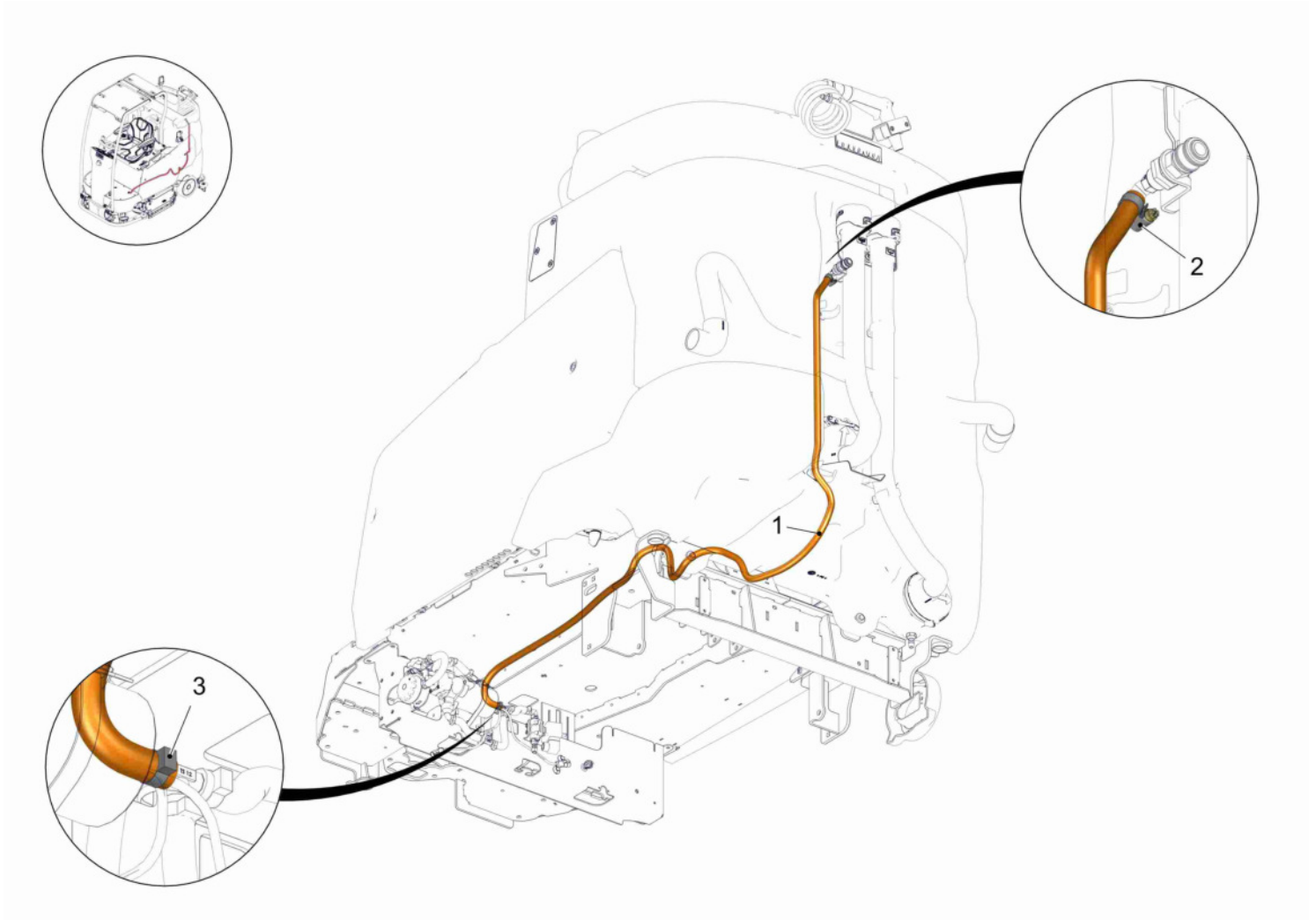
with disk brush head- 2 brushes (97159990) -->

Item	Part number	Description	Qty.	Unit	Remarks
1	00112010	Hose	0,220		
2	01376430	hose clamp	2		



Tank connection water system (97155287) -->

Item	Part number	Description	Qty.	Unit	Remarks
1	00053080	Hexagon screw	4		
2	00740090	Detent edged washer	4		
3	00967760	Cable tie	4		
4	00112010	Hose	2,250		
5	01376430	hose clamp	2		

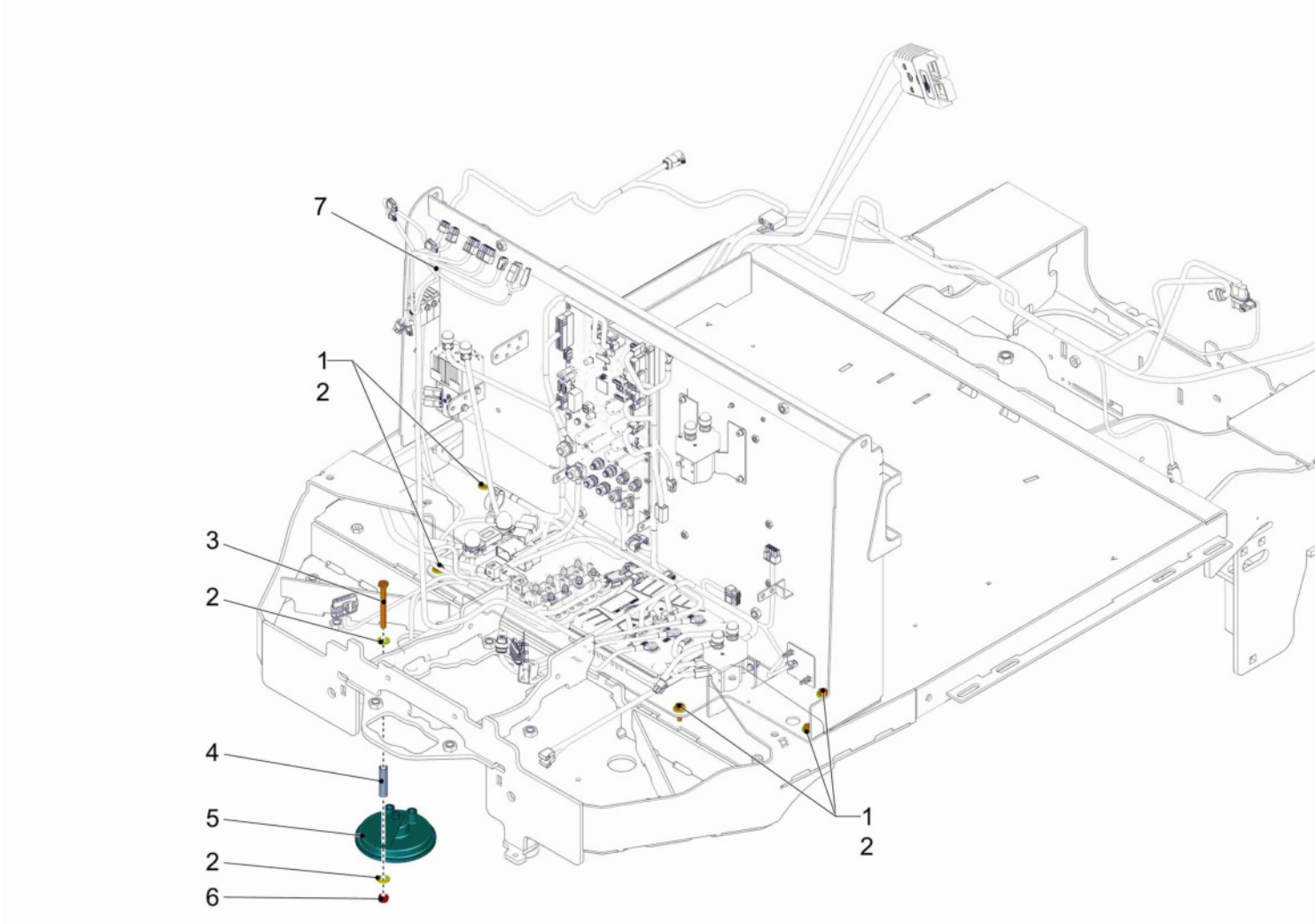


Preliminary parts for spraying tools (97155258) -->

Item	Part number	Description	Qty.	Unit	Remarks
1	00112010	Hose	2,250		
2	01015350	Hose clamp	1		
3	01376430	hose clamp	1		

Elektric system (97145635 7182-70)

Assembly	Description	Page
97156194 7182-70	Electric equipment	55

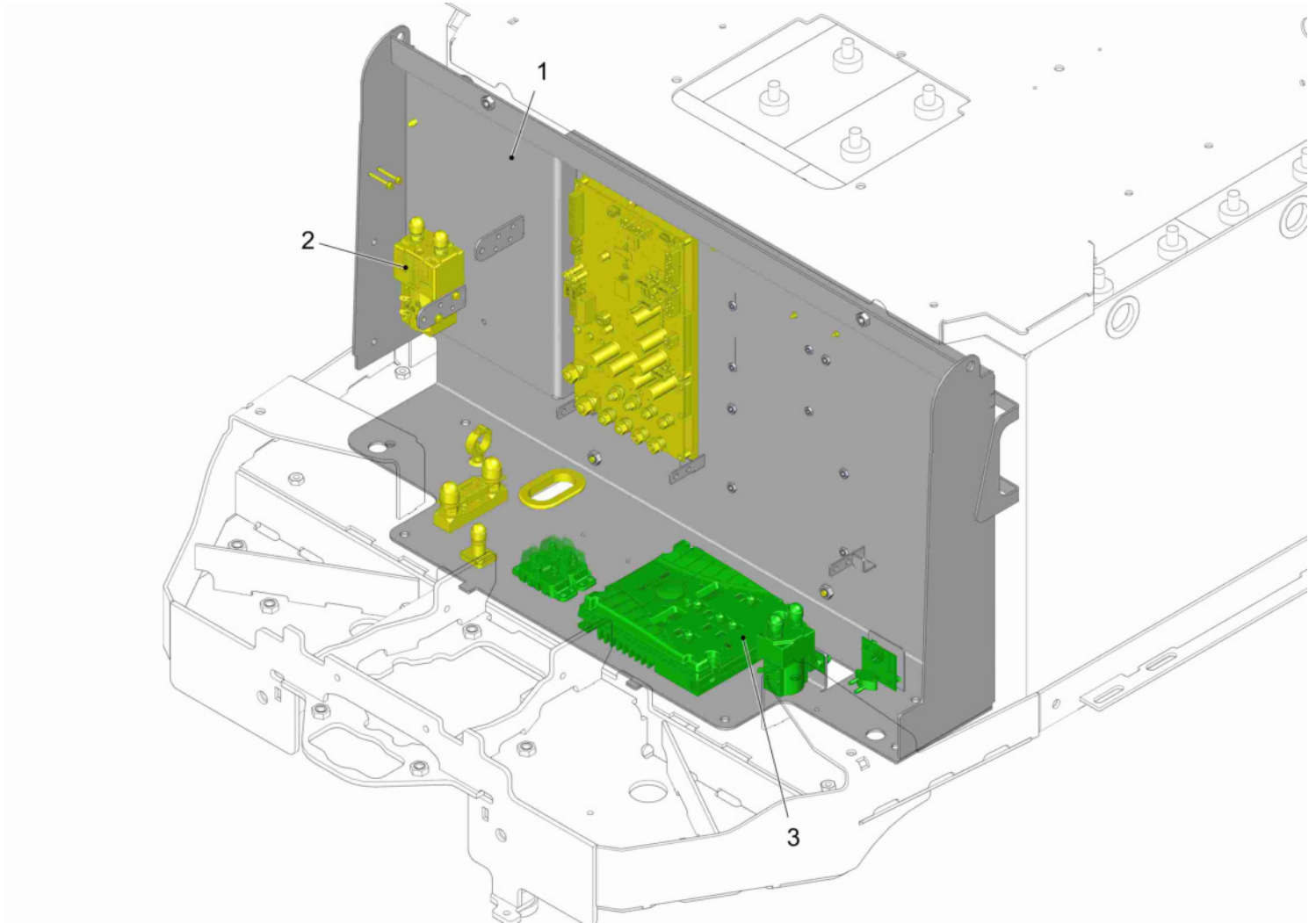


Electric equipment (97156194 7182-70) -->

Item	Part number	Description	Qty.	Unit	Remarks
1	00053090	Hexagon screw	5		
2	00740090	Detent edged washer	7		
3	01073400	Hex.bolt	1		
4	01373300	distance piece	1		
5	00050810	Signal horn	1		
6	00053350	Hex. Nut	1		
7	97148092 7182-70	Electric plate, configurable	Page	57	

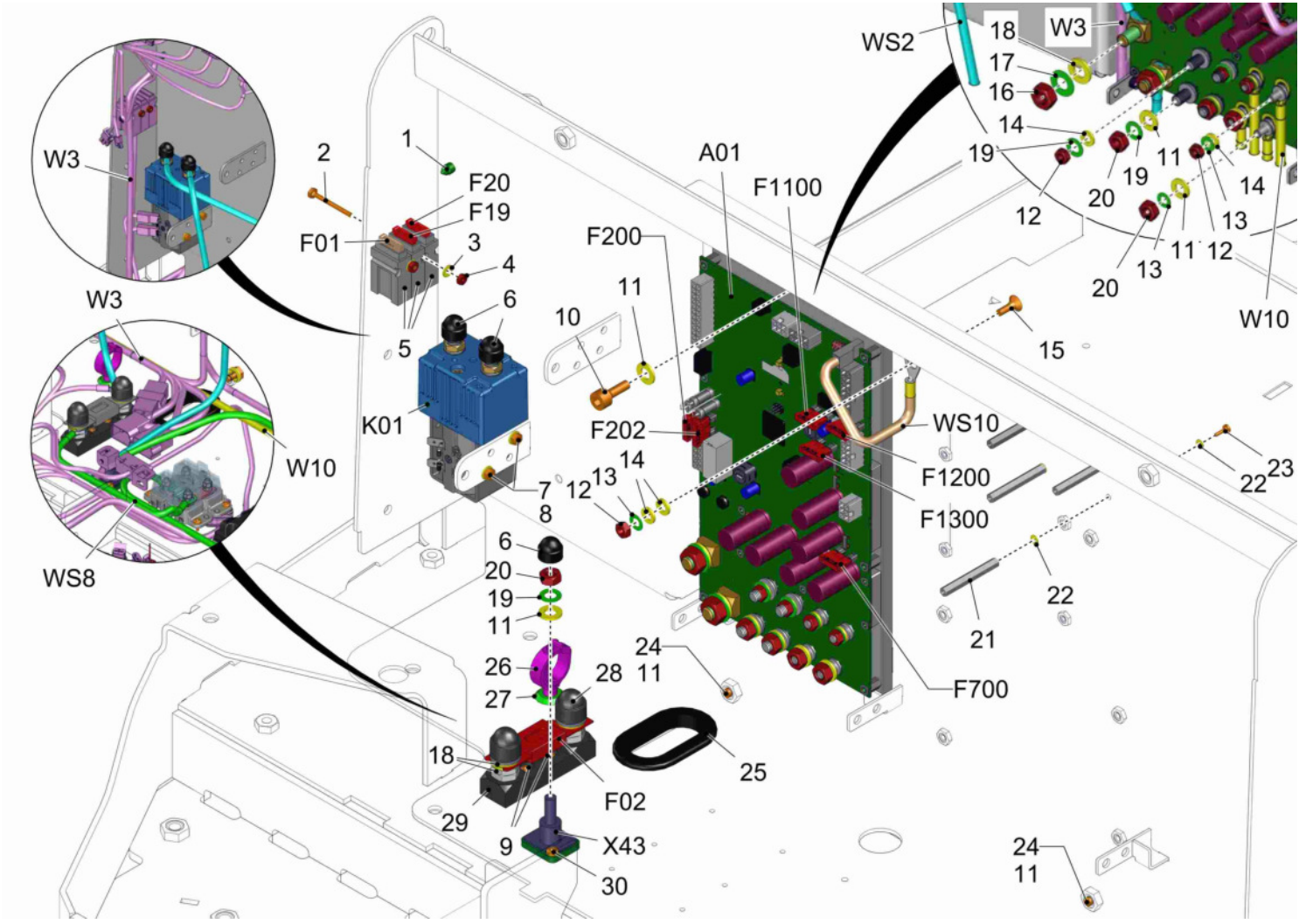
Electric plate, configurable (97148092 7182-70)

Assembly	Description	Page
97148100	Base electric plate	58
97156186	Electric plate without 4-wheel drive	66
97160089	Wiring harness battery connection	68
97160030	Electric plate with option pre-sweep unit	70
97160071	Electric plate with operation of pre-sweep unit or 3-disk brush head	72



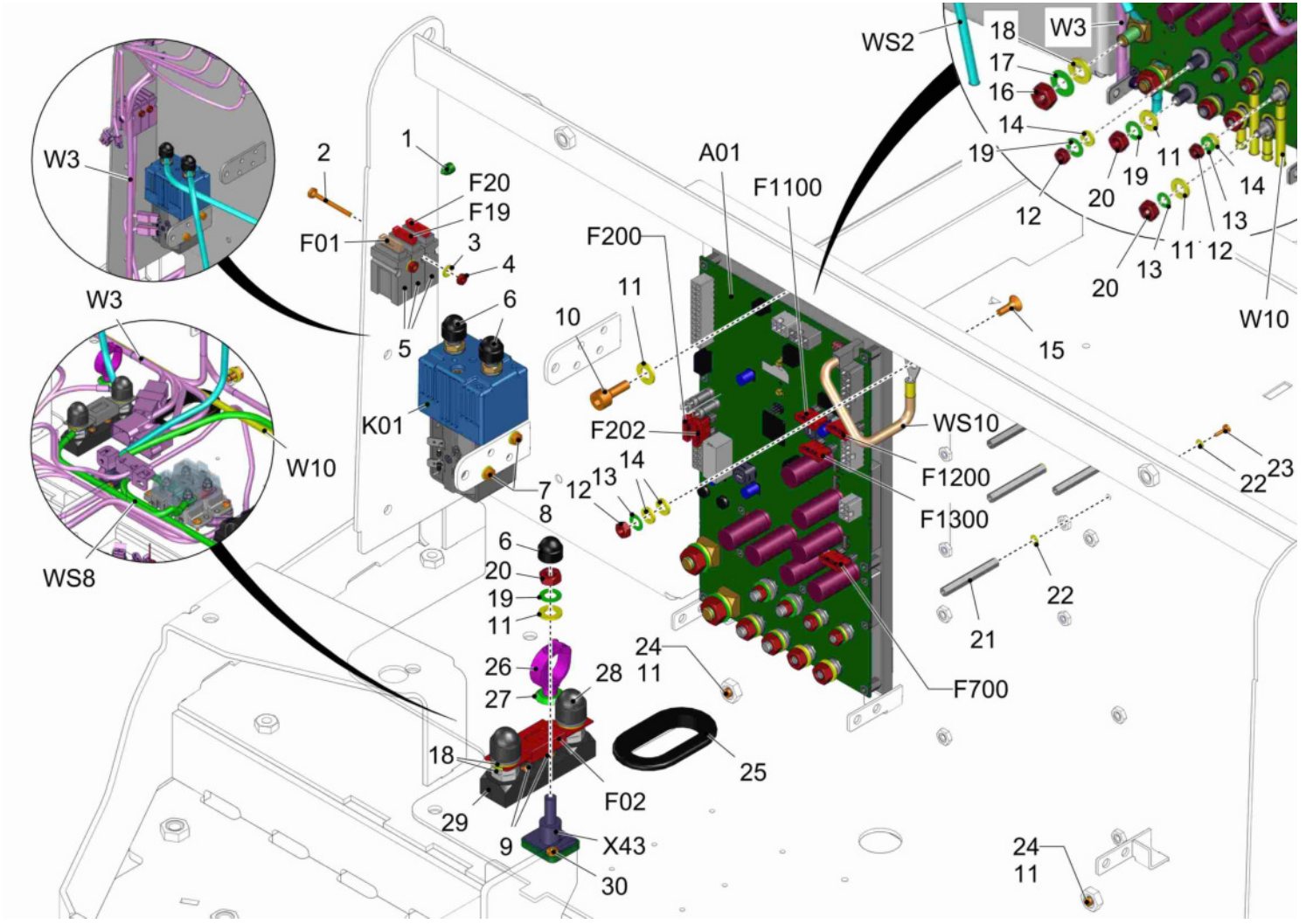
Base electric plate (97148100) -->

Item	Part number	Description	Qty.	Unit	Remarks
1	03021500	carrier	1		
2	97148100-1	Base electric plate, part 1	Page	60	
3	97148100-2	Base electric plate, part 2	Page	64	



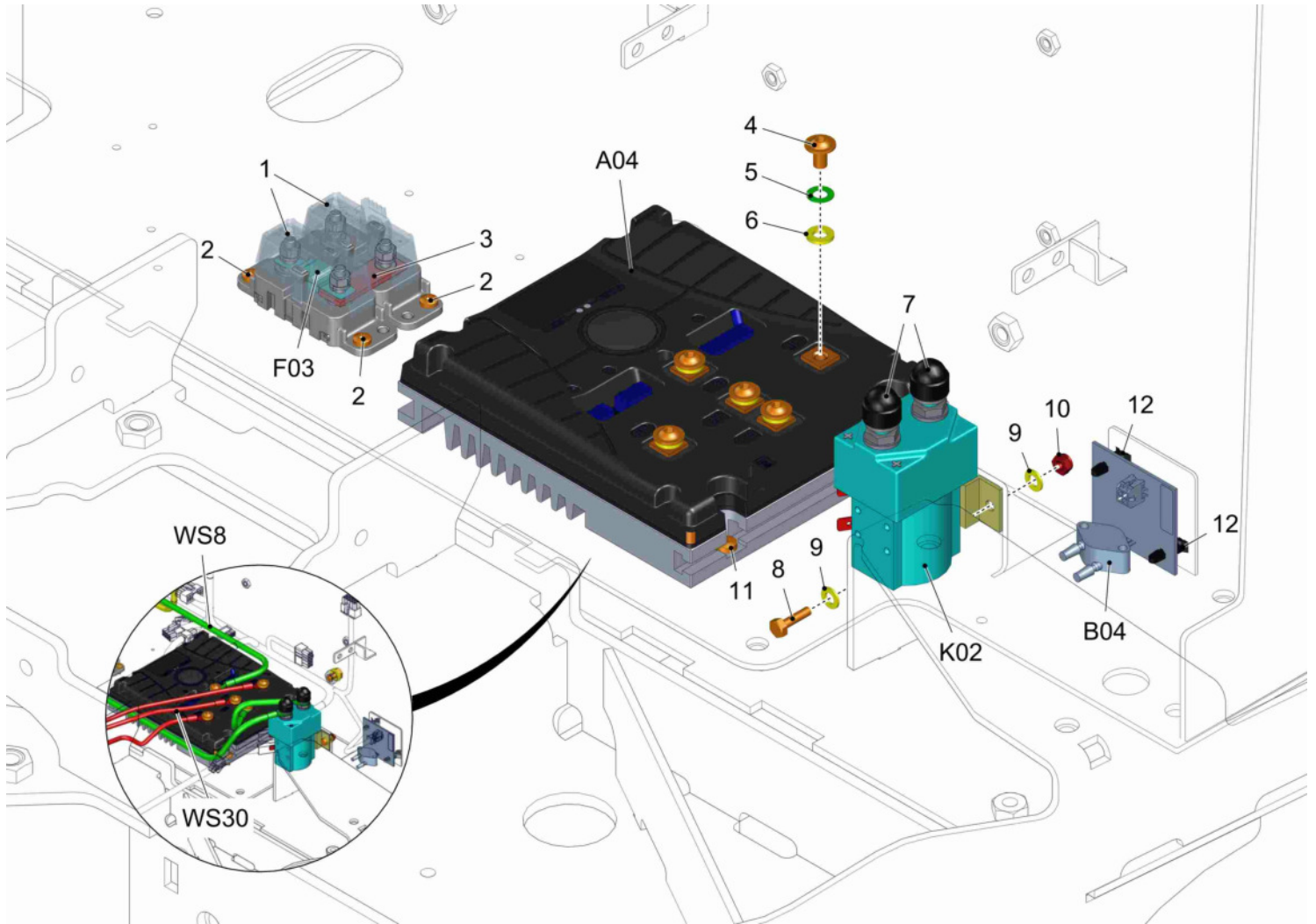
Base electric plate, part 1 (97148100-1) -->

Item	Part number	Description	Qty.	Unit	Remarks
1	01493500	Retainer	1		
2	01130570	Hex.bolt	2		
3	00053710	Washer	2		
4	00052810	Hex. Nut	2		
5	00733650	Fuse holder	3		
6	00131610	Lens cap	3		
7	00054680	Hex.bolt	2		
8	00053720	Washer	4		
9	01272680	Screw	2		
10	00045540	Cylinder head screw	1		
11	00053750	Washer	8		
12	00053330	Hex. Nut	5		
13	00053840	Spring washer	5		
14	00053730	Washer	6		
15	00872460	Countersunk screw	1		
16	00053360	Hex. Nut	2		
17	00053860	Spring washer	2		
18	00053760	Washer	3		
19	00053850	Spring washer	5		
20	00053350	Hex. Nut	5		
21	01376610	spacer bolt	4		
22	00553740	Washer	8		
23	00535780	Fillister-head screw	4		
24	00151810	Hexagon screw	2		
25	01078440	Grommet	1		
26	01476570	retainer Ø20	1		
27	01370240	mounting feet	1		
28	00747210	Lens cap	2		
29	00121440	fuse holder (display not current, see document links)	1		
30	01112160	Screw	2		
A01	01375920	controller	1		incl. fuses F200, F202, F700, F1100, F1200, F1300
F01	01371450	fuse link 7,5A 80V	1		fuse controller
F02	00059580	Fuse	1		machine controll
F19	00874950	Fuse	1		horn / fleet



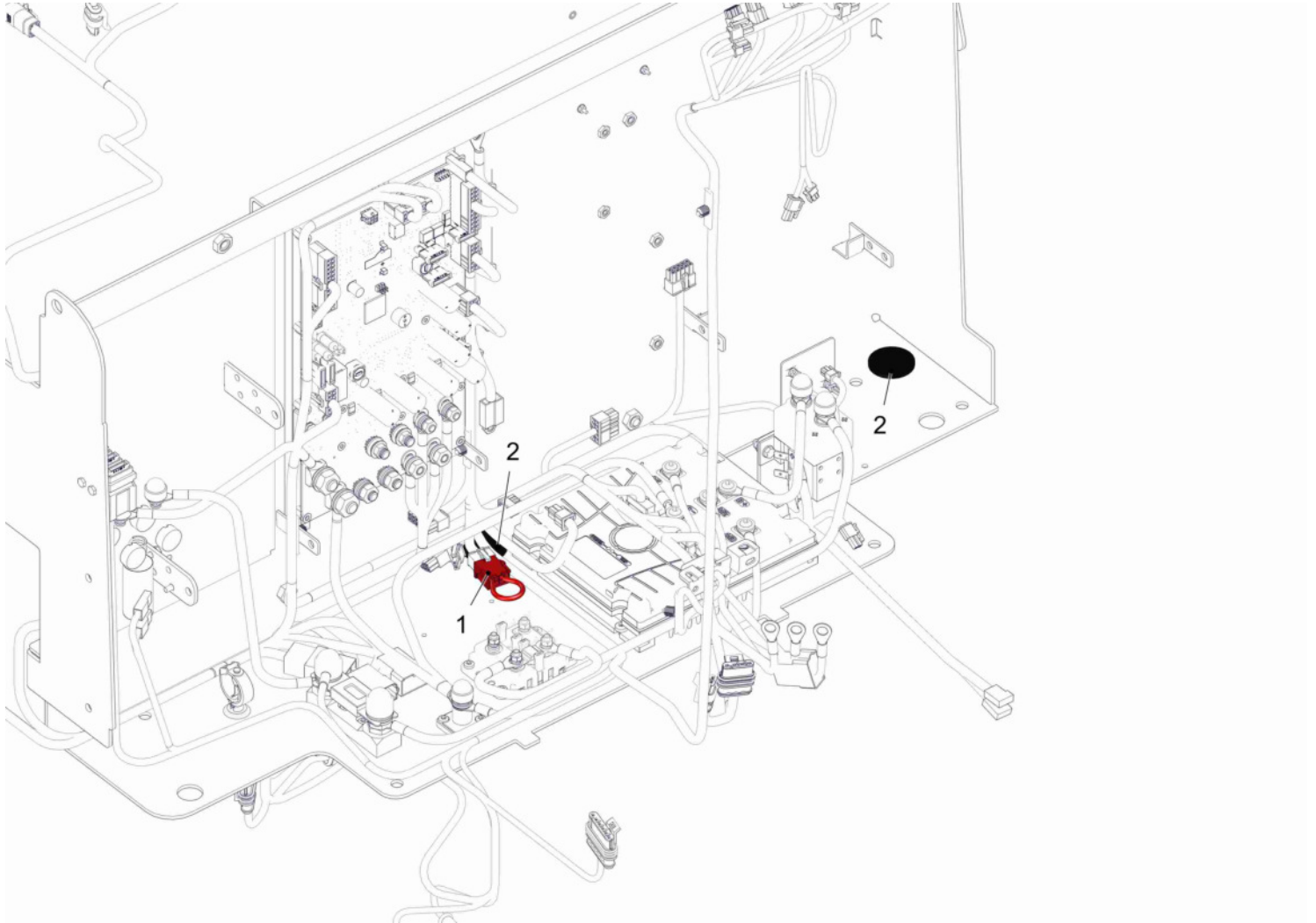
Base electric plate, part 1 (97148100-1) -->

Item	Part number	Description	Qty.	Unit	Remarks
F20	00874950	Fuse	1		chemical dosing
F200	01376830	fuse link FKS C3A 80V	1		content of A1
F202	01376830	fuse link FKS C3A 80V	1		content of A1
F700	01376770	fuse link FKS C25A 80V	1		content of A1
F11 00	00874970	Fuse	1		content of A1
F12 00	00874970	Fuse	1		content of A1
F13 00	00874970	Fuse	1		content of A1
K01	01371500	solenoid switch	1		
W3	03021720	wiring harness W3	1		
W10	03021610	wiring harness W10	1		
WS2	03021870	cable loom WS2	1		
WS8	03021850	wiring harness WS8	1		
WS 10	03020420	cable loom WS10	1		
X43	00744670	Single clamp	1		



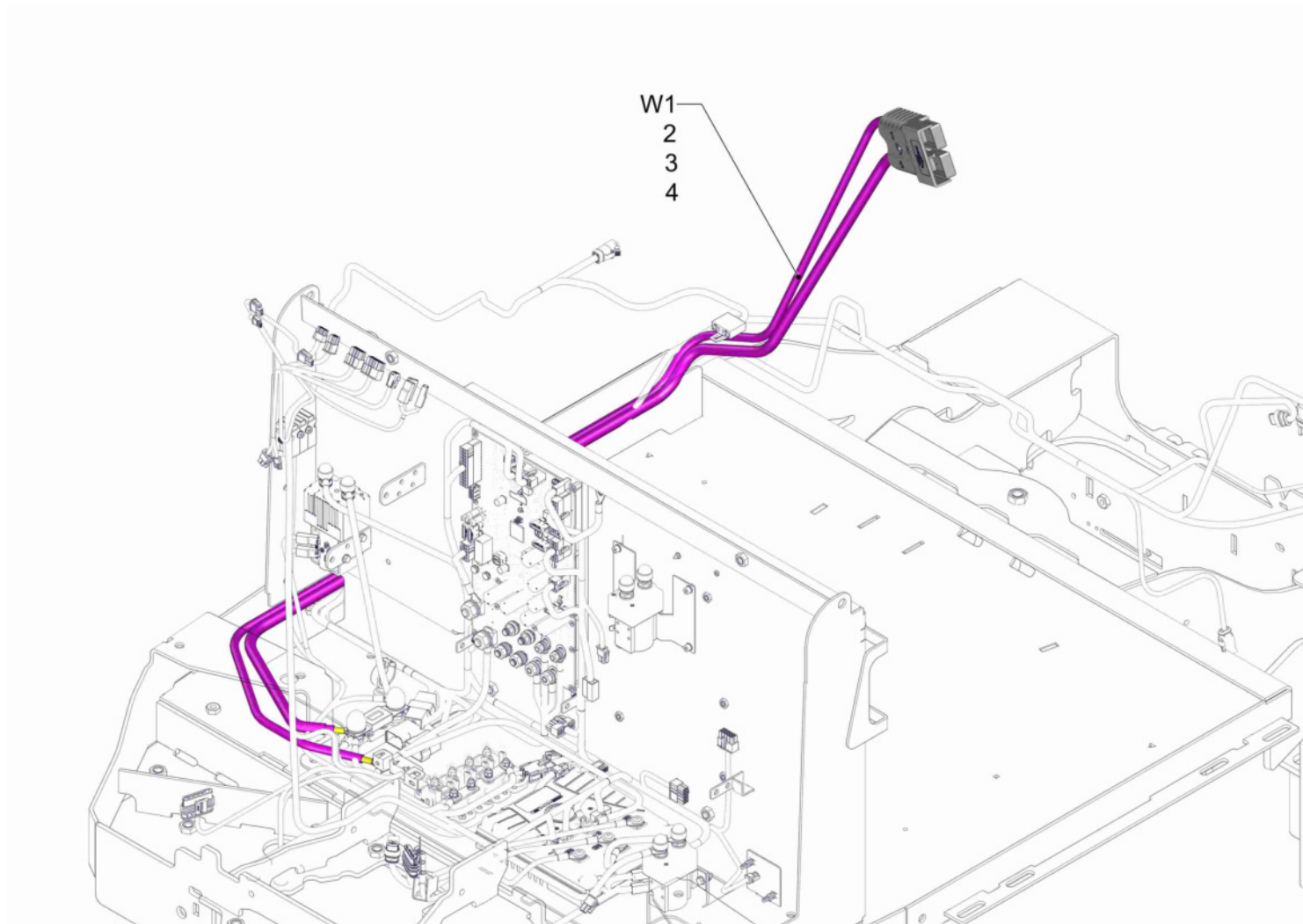
Base electric plate, part 2 (97148100-2) -->

Item	Part number	Description	Qty.	Unit	Remarks
1	01473870	Fuse holder	2		
2	01112160	Screw	4		
3	01376390	current bar	1		
4	01072520	Lens flange screw	5		
5	00053840	Spring washer	5		
6	00053730	Washer	5		
7	00131610	Lens cap	2		
8	00054410	Hex.bolt	2		
9	00053720	Washer	2		
10	00051340	Hex. Nut	2		
11	00959220	Screw	4		
12	00745840	Print plate holder	2		
A04	01375880	driving control AC 36V 180A	1		front wheel
B04	01371480	pressure sensor	1		fresh water sensor
F03	01371300	fuse link	1		drive control front (A04)
K02	00965060	Solenoid switch	1		
WS8	03021850	wiring harness WS8	1		
WS 30	03020280	wiring harness W30	1		



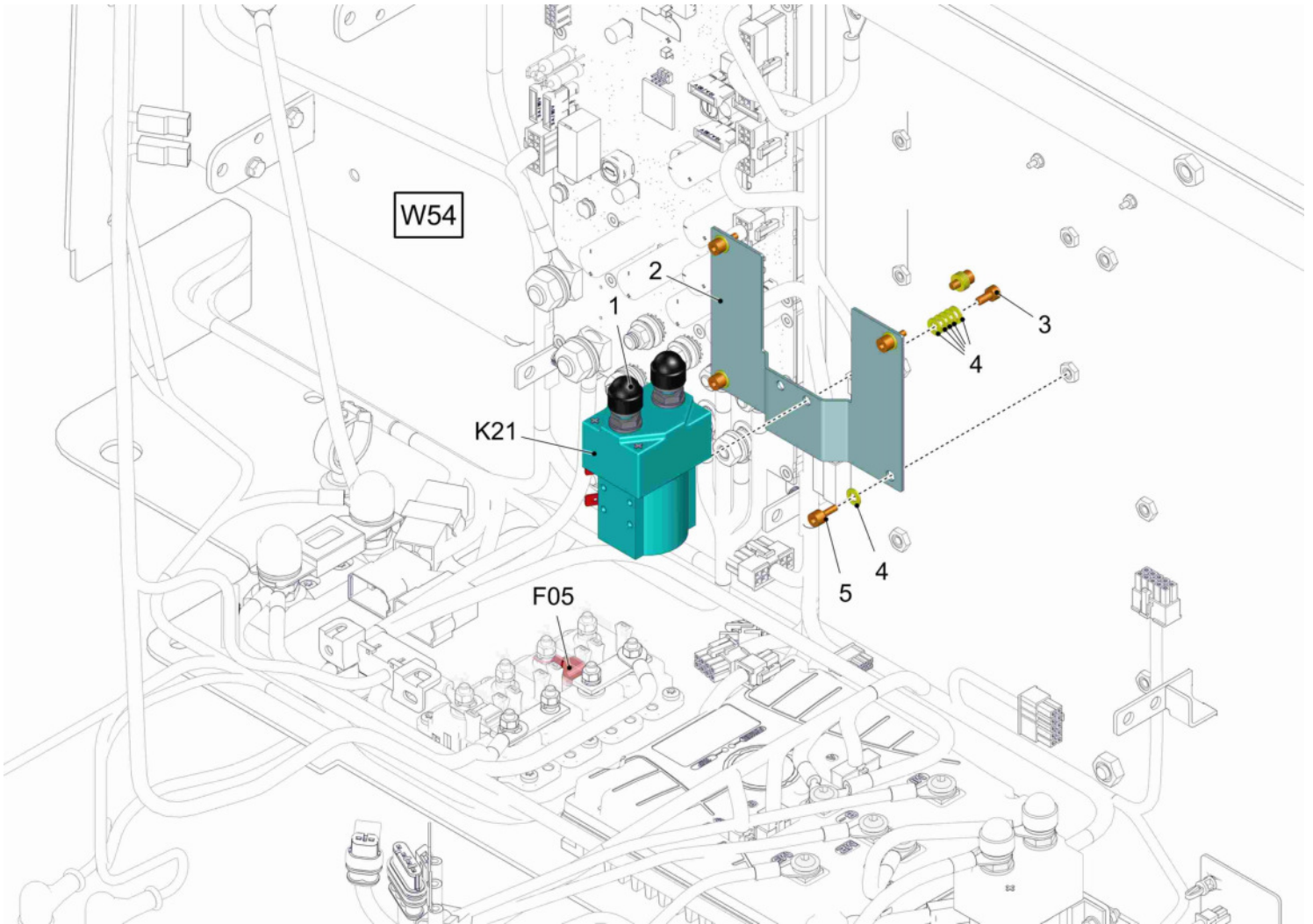
Electric plate without 4-wheel drive (97156186) -->

Item	Part number	Description	Qty.	Unit	Remarks
1	03020460	cable loom WS6	1		
2	00130790	Drain plug	2		



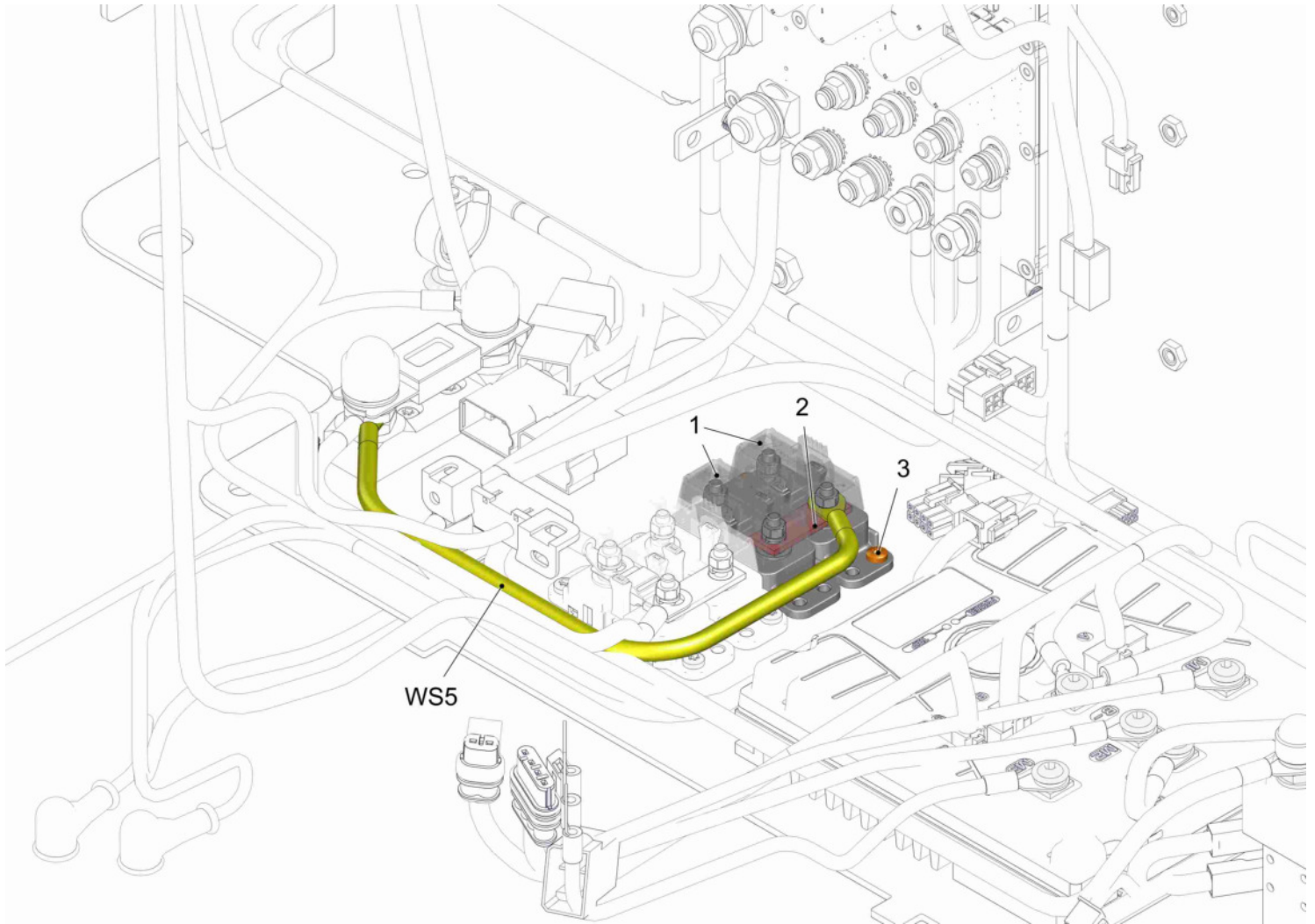
Wiring harness battery connection (97160089) -->

Item	Part number	Description	Qty.	Unit	Remarks
2	01163580	Shrinkable tube	0,100		content of harness W1
3	01377150	heat shrink tube 19,1x0,8-PVC 2:1 red	0,100		content of harness W1
4	01497550	corrugated hose	1,530		content of harness W1
W1	03021920	wiring harness W1	1		incl.items 2-4



Electric plate with option pre-sweep unit (97160030) -->

Item	Part number	Description	Qty.	Unit	Remarks
1	00131610	Lens cap	2		
2	01375540	relay carrier	1		
3	00730930	socket head screw	2		
4	00053710	Washer	14		
5	---	Spare part on request	4		11126364 socket head screw
F05	01371170	fuse link	1		pre-sweeping unit or prbl.other options
K21	00965060	Solenoid switch	1		sweep motor
W54	03022000	wiring harness W54	1		



Electric plate with operation of pre-sweep unit or 3-disk brush head (97160071) -->

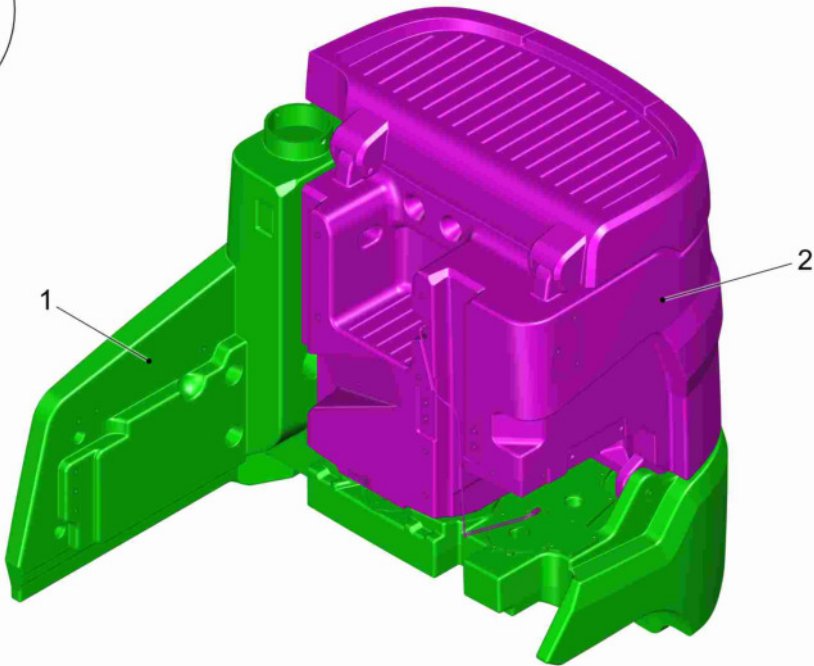
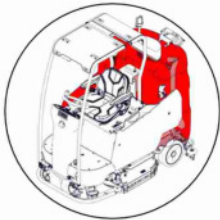
Item	Part number	Description	Qty.	Unit	Remarks
1	01473870	Fuse holder	2		
2	01376390	current bar	1		
3	01112160	Screw	2		
WS5	03021630	cable loom WS5	1		

Tank (97145601 7182-70)

Assembly	Description	Page
97151005 7182-70	Tanks	75
97151013	Side covering L.H. - seperating panel	110
97151021 7182-12	Cover (variant without driver canopy)	116

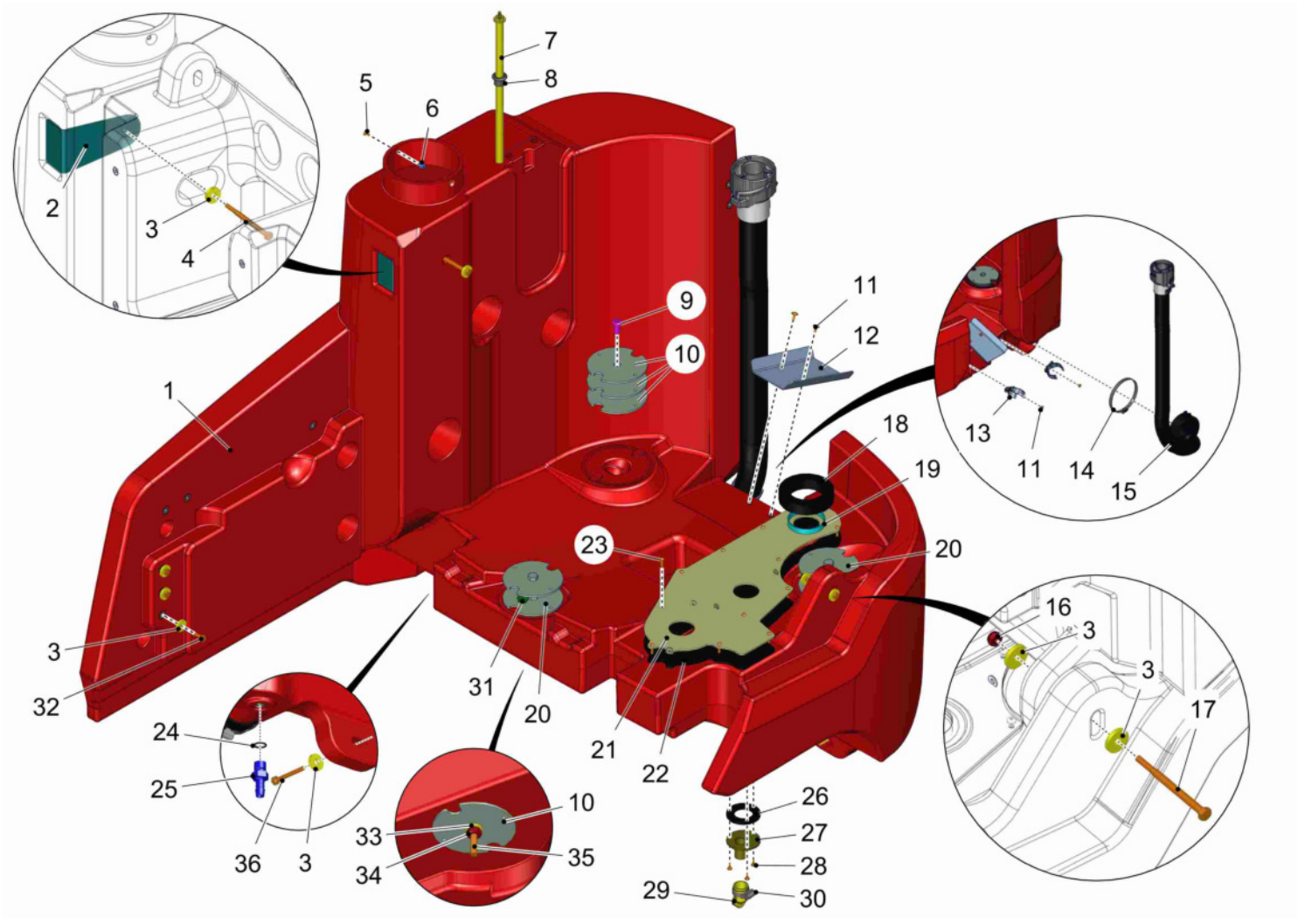
Tanks (97151005 7182-70)

Assembly	Description	Page
03021570	tanks standard red (available! No.03021570)	76
97154165	Suction units - suction hose - tank attachments	96
97143937	Fresh water cap (variant without automatic filling unit)	98
97150296	Preliminary parts for spraying tools at tank	100
97142384	Spraying nozzle	102
97143929	Rough mud strainer	106
97160568	Retaining of battery plug	108



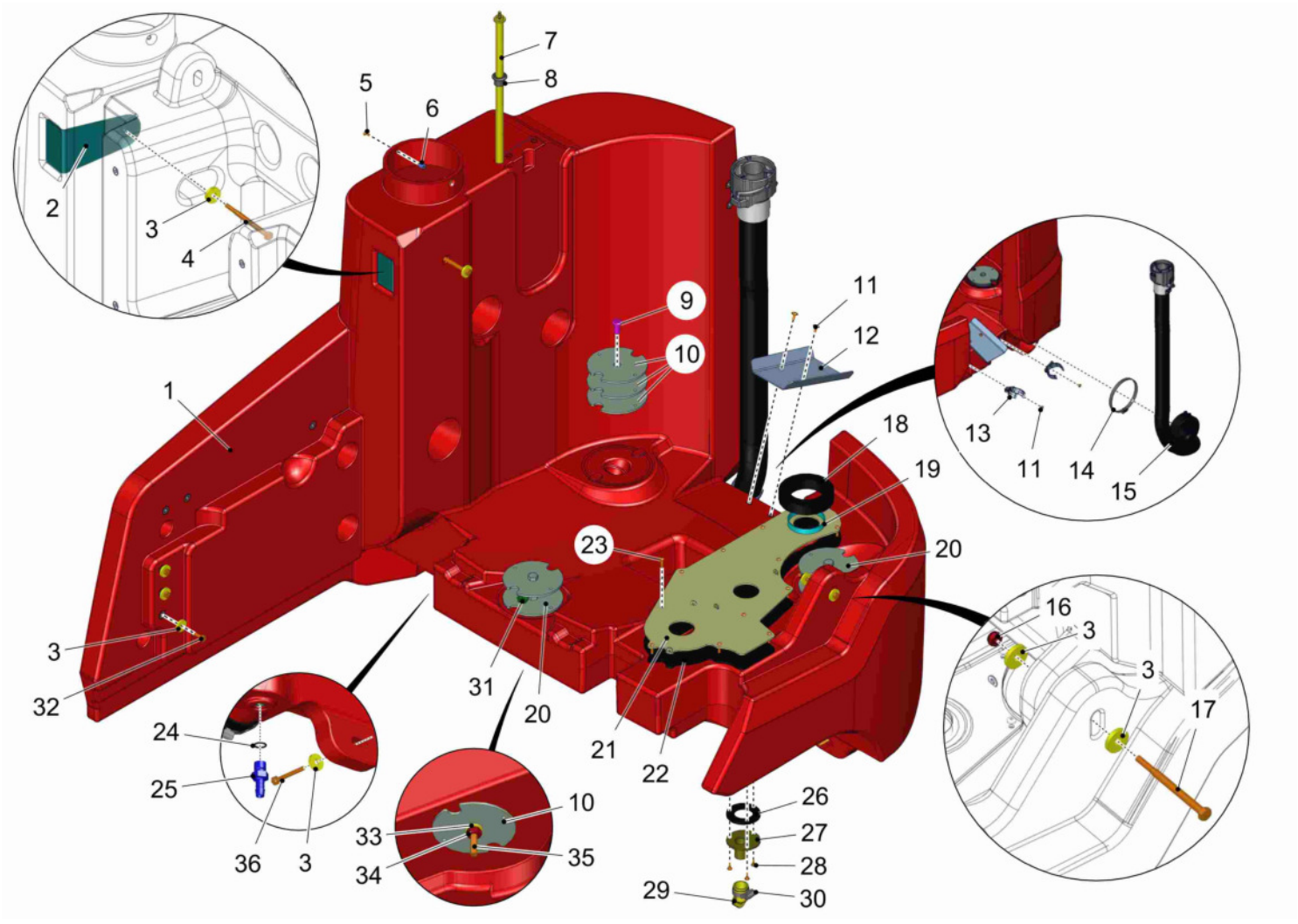
tanks standard red (available! No.03021570) (03021570) -->

Item	Part number	Description	Qty.	Unit	Remarks
1	03021570-1	Fresh water tank standard red	Page	78	
2	03021570-2 7182-70	Foul water tank standard red	Page	86	



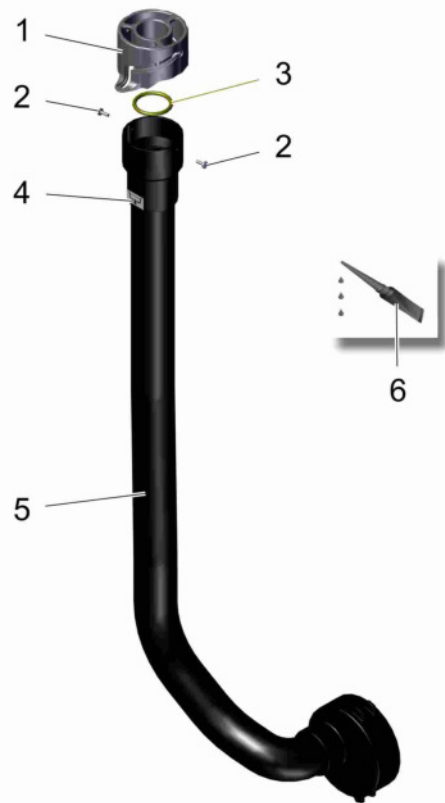
Fresh water tank standard red (03021570-1) -->

Item	Part number	Description	Qty.	Unit	Remarks
1	-	Not supplied alone!	1		If needed order the complete tanks 03021570, please!
2	01377010	carrier	1		
3	00047990	Disk wheel	6		
4	00053150	Hex.bolt	1		
5	00028470	Countersunk screw	2		
6	01372790	bolt	2		
7	---	Spare part on request	1		96164934 sounding rod
8	---	Spare part on request	1		92056159 cable sleeve
9	00901510	Bolt	1		
10	01376280	plate	6		max. 5 plates
11	01000850	Lens flange screw	4		
12	01373450	dirt chute	1		
13	01375310	clip	2		
14	01014640	Hose clamp	1		
15	01372360	hose long	Page	82	
16	00051510	Hex. Nut	1		
17	00053140	Hex.bolt	1		
18	01371740	gasket	1		
19	01371770	tubular support	1		
20	97149587	Height adjustment	Page	84	
21	01377000	covering	1		
22	01376980	gasket	1		
23	01078160	Screw	12		
24	00057720	O-ring oil resistant	1		
25	01072180	Screwed plug	1		
26	01371920	gasket	1		
27	01373830	flowing off	1		
28	00905520	Round head screw	4		
29	00054560	Valve	1		
30	00733160	Hose clamp	1		
31	01370250	retainer	2		
32	00053090	Hexagon screw	3		
33	00053770	Washer	1		
34	00053370	Hex. Nut	1		



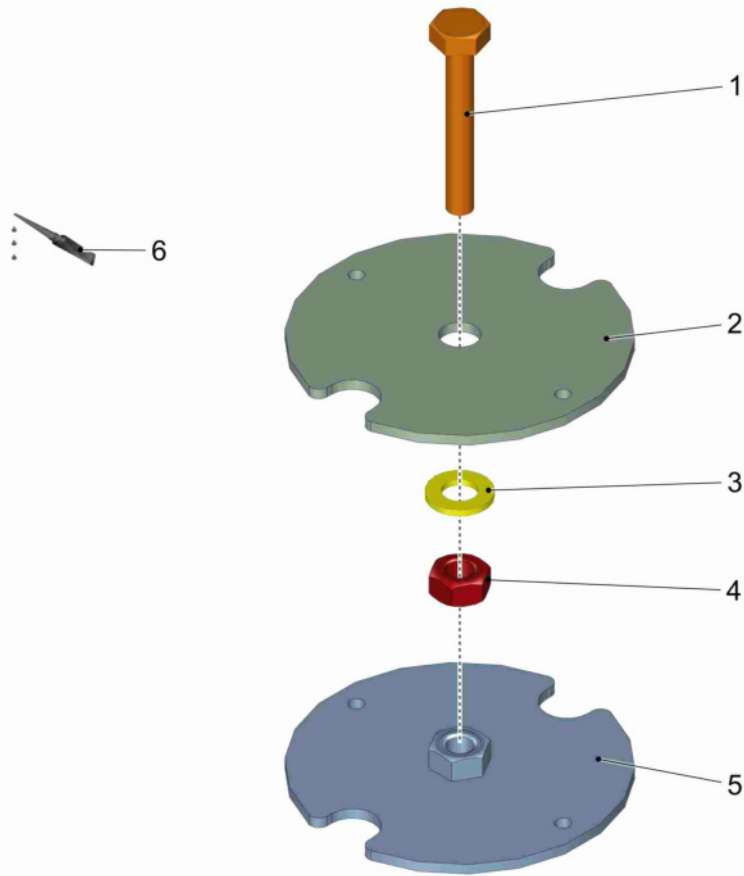
Fresh water tank standard red (03021570-1) -->

Item	Part number	Description	Qty.	Unit	Remarks
35	00054830	Hex.bolt	1		
36	00027910	Hex.bolt	2		



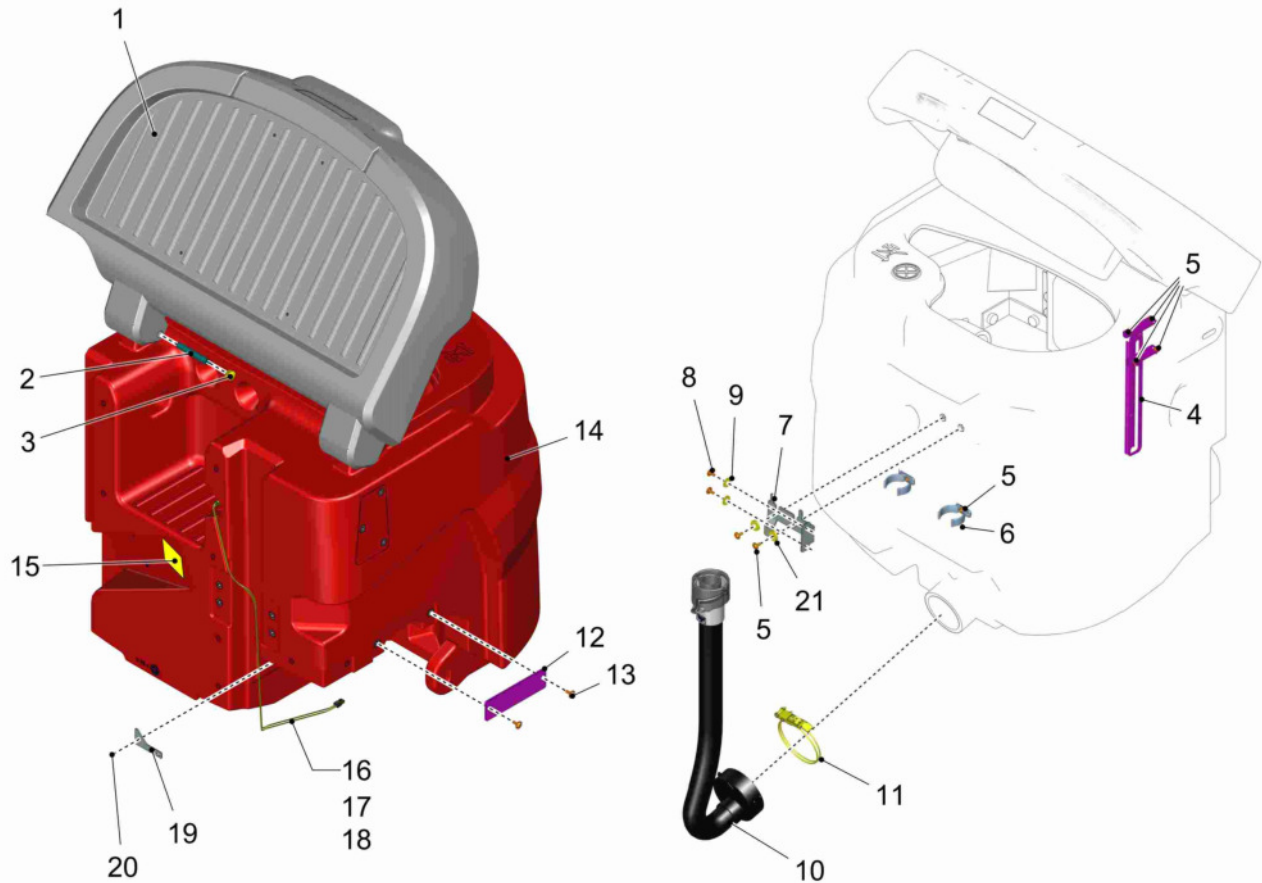
hose long (01372360) -->

Item	Part number	Description	Qty.	Unit	Remarks
1	00142230	Cover	1		
2	00108650	Fillister-head screw	2		
3	01177960	O-Ring	1		
4	01170150	Decal SOLUTION TANK	1		
5	-	Not supplied alone!			If needed order hose compl. 01372360, please!
6	03009260	LOCTIDE sealing compound	1		



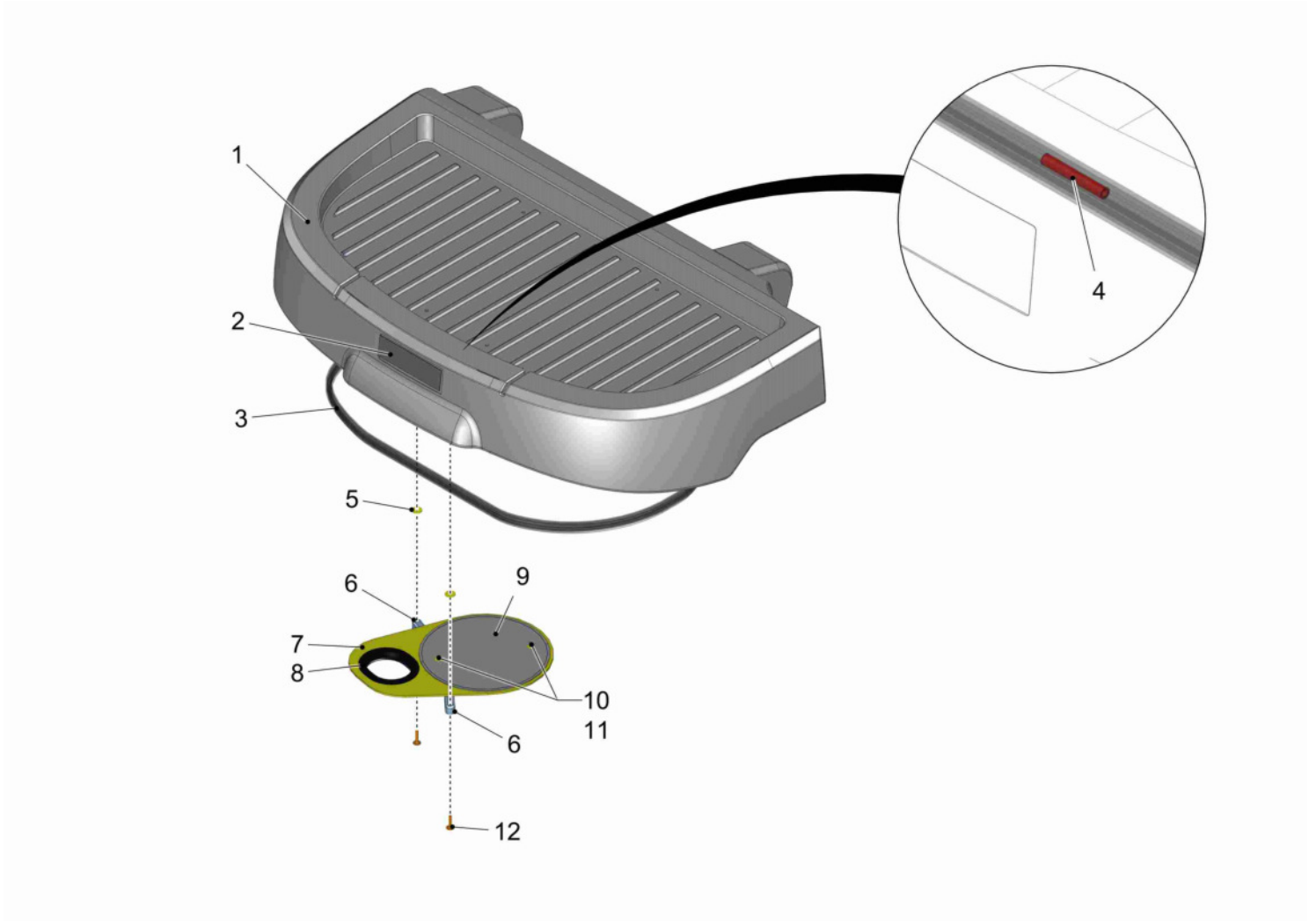
Height adjustment (97149587) -->

Item	Part number	Description	Qty.	Unit	Remarks
1	00137590	Hex.bolt	1		
2	01376280	plate	1		
3	00053770	Washer	1		
4	00053370	Hex. Nut	1		
5	01376990	plate	1		
6	03009260	LOCTIDE sealing compound	0,01		



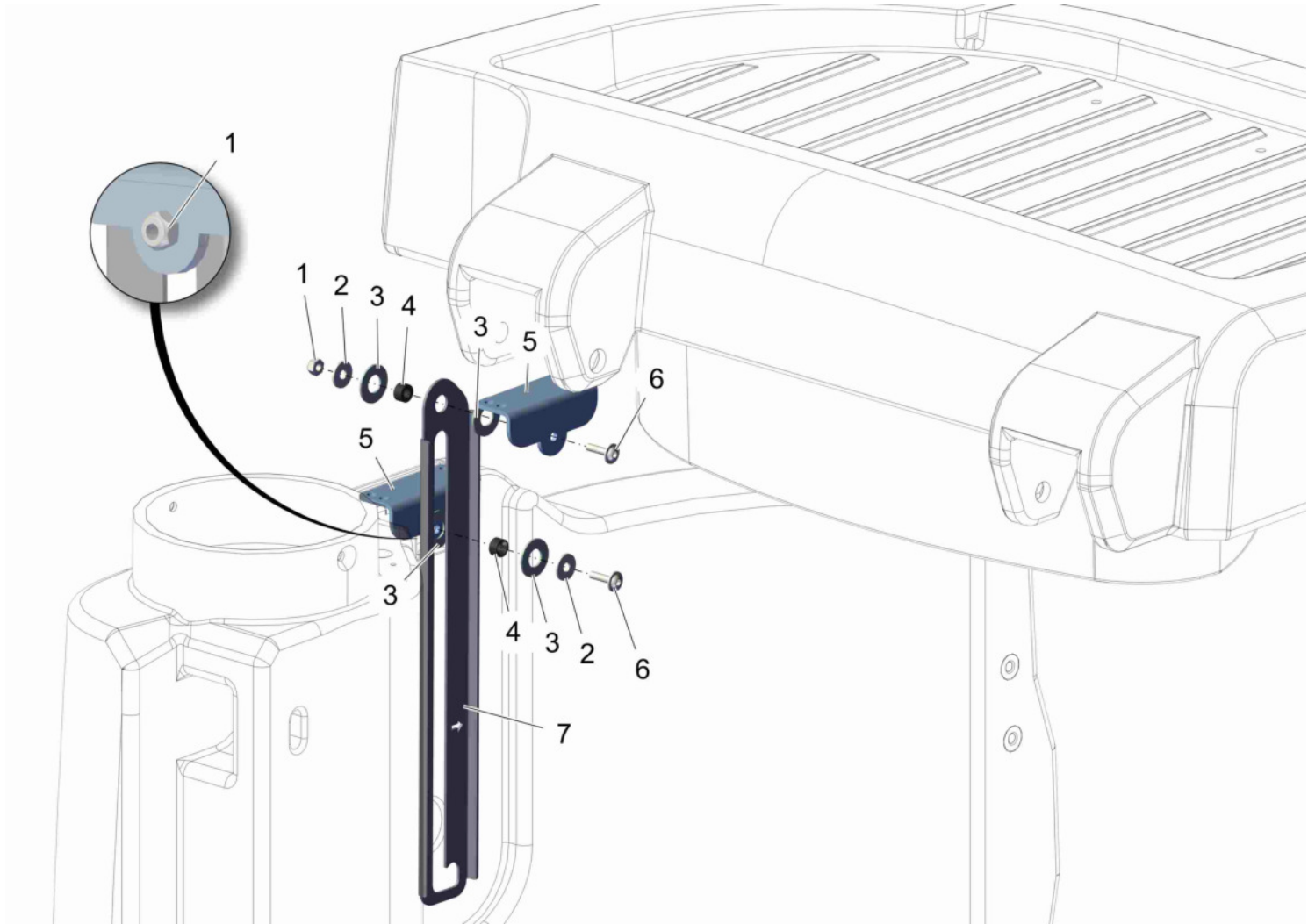
Foul water tank standard red (03021570-2 7182-70) -->

Item	Part number	Description	Qty.	Unit	Remarks
1	97151740 7182-70	Lid	Page	88	
2	01372940	cover axle	2		
3	01136440	Sealing plug	2		
4	97139414	Cover's put-up hinge	Page	90	
4	97159743	Cover's put-up hinge	Page	92	
5	01000850	Lens flange screw	6		
6	01375310	clip	2		
7	01376960	connecting angle	1		
8	01006820	Lens flange screw	4		
9	00042900	Washer	2		
10	01372410	hose short	Page	94	
11	01374000	clamping piece	1		
12	01376900	lock	1		
13	01074320	Lens flange screw	2		
14	-	Not supplied alone!	1		If needed order the complete tanks 03021570, please!
15	---	Spare part on request	1		17268541 decal
16	00959650	Float switch	1		
17	01372420	pin housing (2 pin)	1		
18	01372370	tab-cont. Mini-Fit Jr. (0,25-1,00)	2		
19	01376970	carrier	1		
20	00905520	Round head screw	4		
21	00047990	Disk wheel	2		



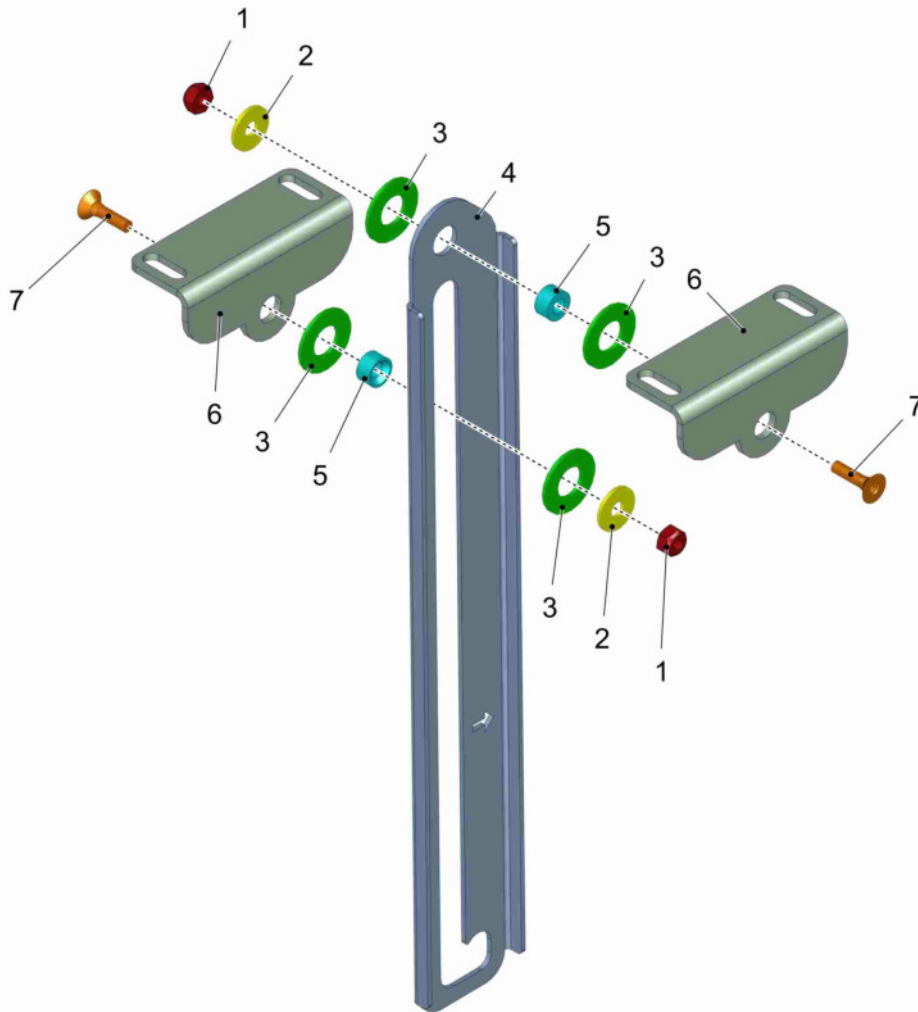
Lid (97151740 7182-70) -->

Item	Part number	Description	Qty.	Unit	Remarks
1	01377020	cover	1		
2	03021580	decal POWERBOSS	1		
3	01071770	Sealing profile	1,904		
4	01090200	Hose	0,040		
5	00854210	Washer	2		
6	00968190	Toggle	2		
7	01376490	filter carrier	1		
8	00681570	Edge protection	0,305		
9	01375490	strainer	1		
10	01076740	Rivet	2		
11	00102150	Washer	2		
12	01082530	Lens flange screw	2		



Cover's put-up hinge (97139414) -->

Item	Part number	Description	Qty.	Unit	Remarks
1	00102140	Hex. Nut	2		
2	00854210	Washer	2		
3	01102770	Approach disk	4		
4	01279800	bushing	2		
5	01372960	put-up hinge bearing	2		
6	01174700	Lens flange screw	2		
7	01372950	cover put-up hinge	1		



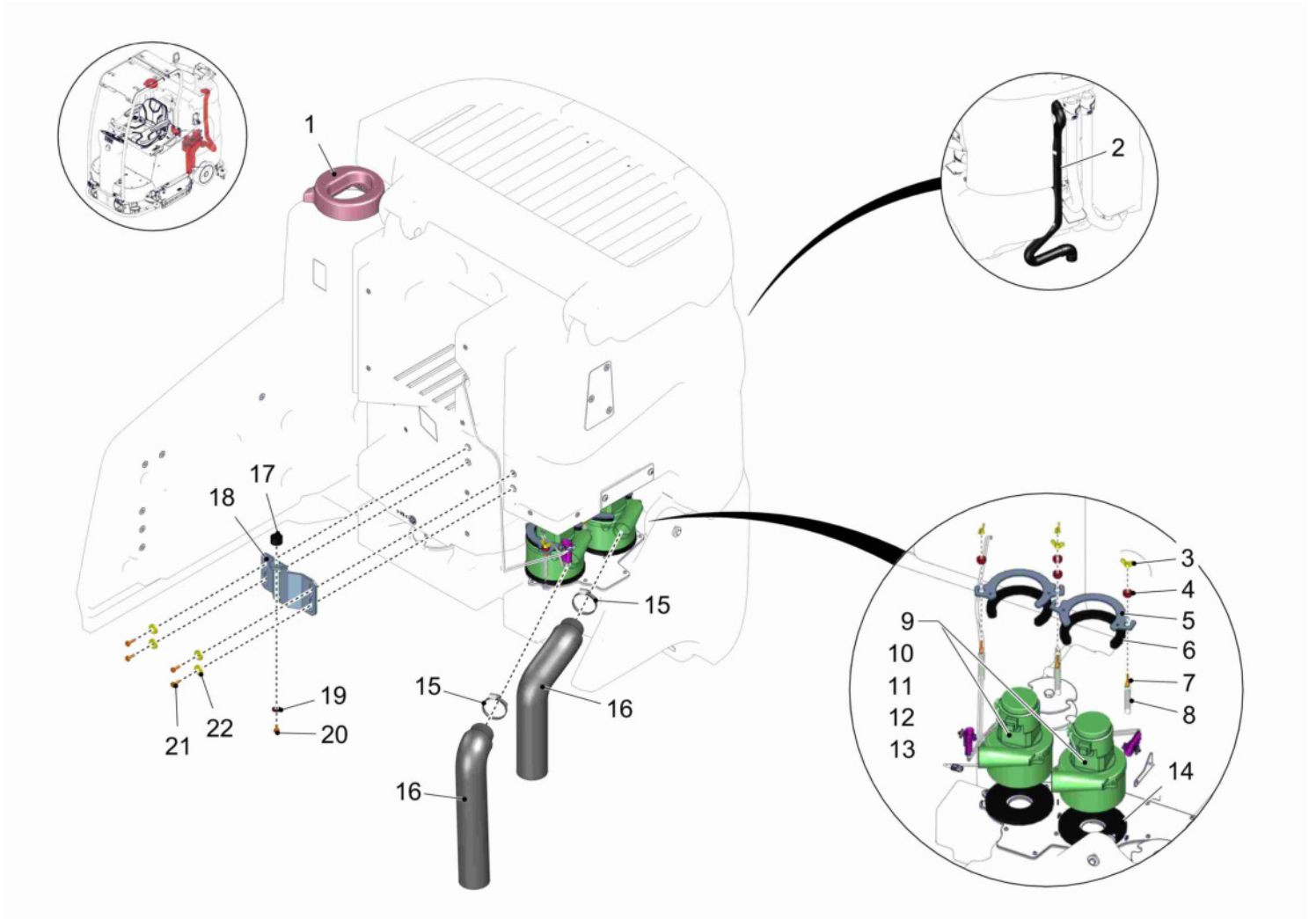
Cover's put-up hinge (97159743) -->

Item	Part number	Description	Qty.	Unit	Remarks
1	00102140	Hex. Nut	2		
2	00854210	Washer	2		
3	01102770	Approach disk	4		
4	01372950	cover put-up hinge	1		
5	01279800	bushing	2		
6	---	Spare part on request	2		92061068 put-up hinge bearing
7	00054720	Countersunk screw	2		



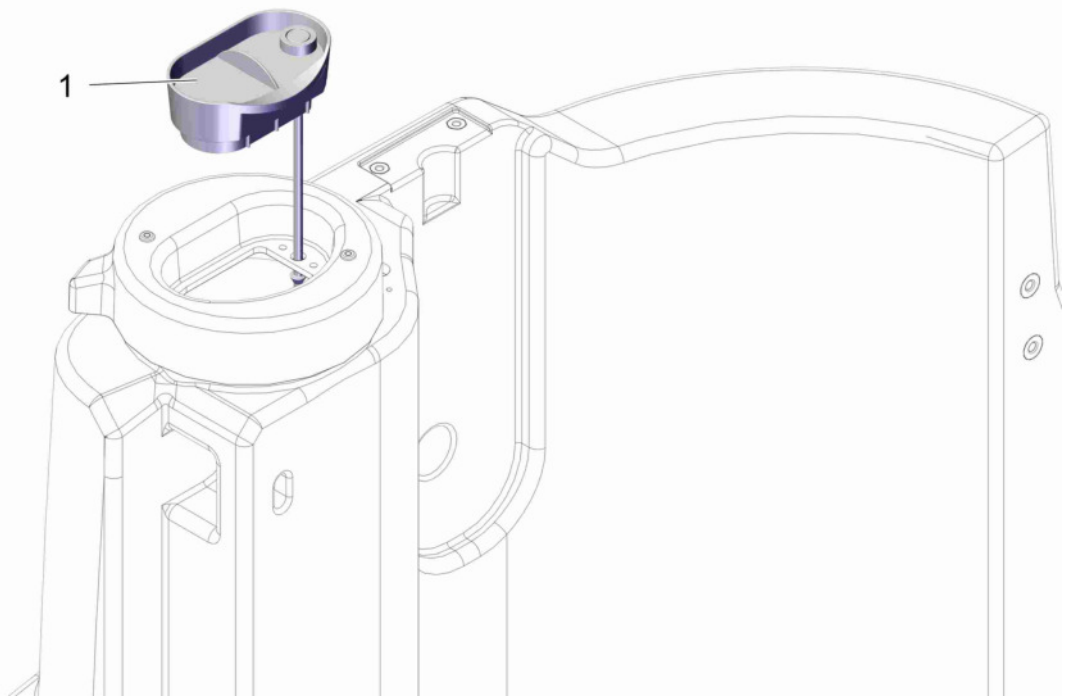
hose short (01372410) -->

Item	Part number	Description	Qty.	Unit	Remarks
1	00142230	Cover	1		
2	00108650	Fillister-head screw	2		
3	01177960	O-Ring	1		
4	01170060	Decal FOUL WATER	1		
5	-	Not supplied alone!			If needed order hose compl. 01372410, please!



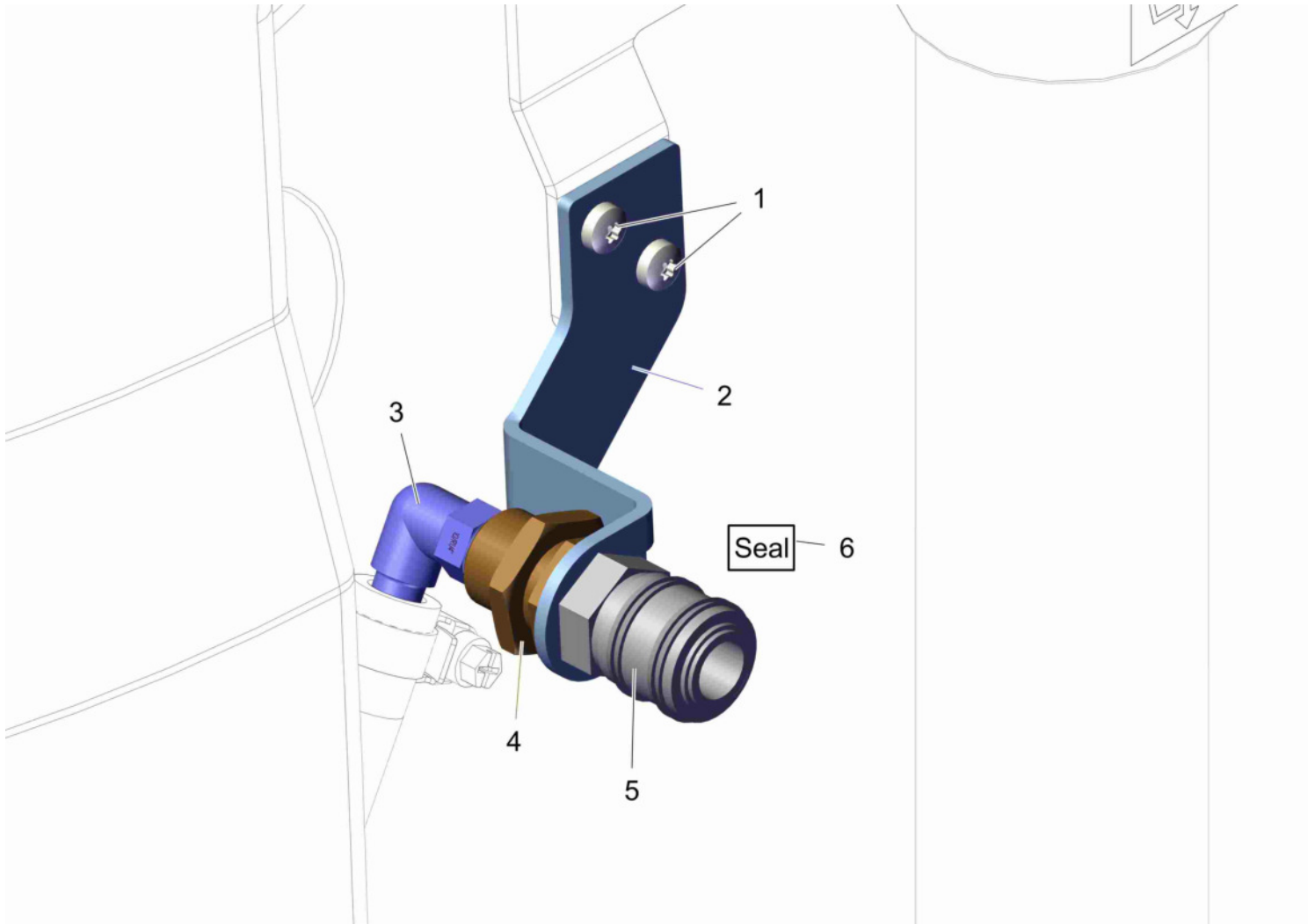
Suction units - suction hose - tank attachments (97154165) -->

Item	Part number	Description	Qty.	Unit	Remarks
1	01372190	cover	1		
2	01371890	suction hose	1		
3	00054020	Wing nut	4		
4	00903210	Knurled nut	4		
5	01372880	clamping sheet metal	2		
6	01071550	Seal	2		
7	00508770	Eye bolt	4		
8	00109410	Tension spring	4		
9	01372140	suction turbine	2		
9	01381950	carbon brush	2		
10	01092490	Single seal	2		
11	01092500	Flat connector	2		
12	01092510	Connector housing	1		
13	01278080	Mounting clip	1		
14	01371800	sealing ring	2		
15	00732130	Hose clamp	2		
16	00471570	Hose	2		
17	00733560	Rubber-metal buffer	1		
18	01373070	seat bearing	1		
19	00740080	Washer	1		
20	00053080	Hexagon screw	1		
21	00053090	Hexagon screw	4		
22	00047990	Disk wheel	4		



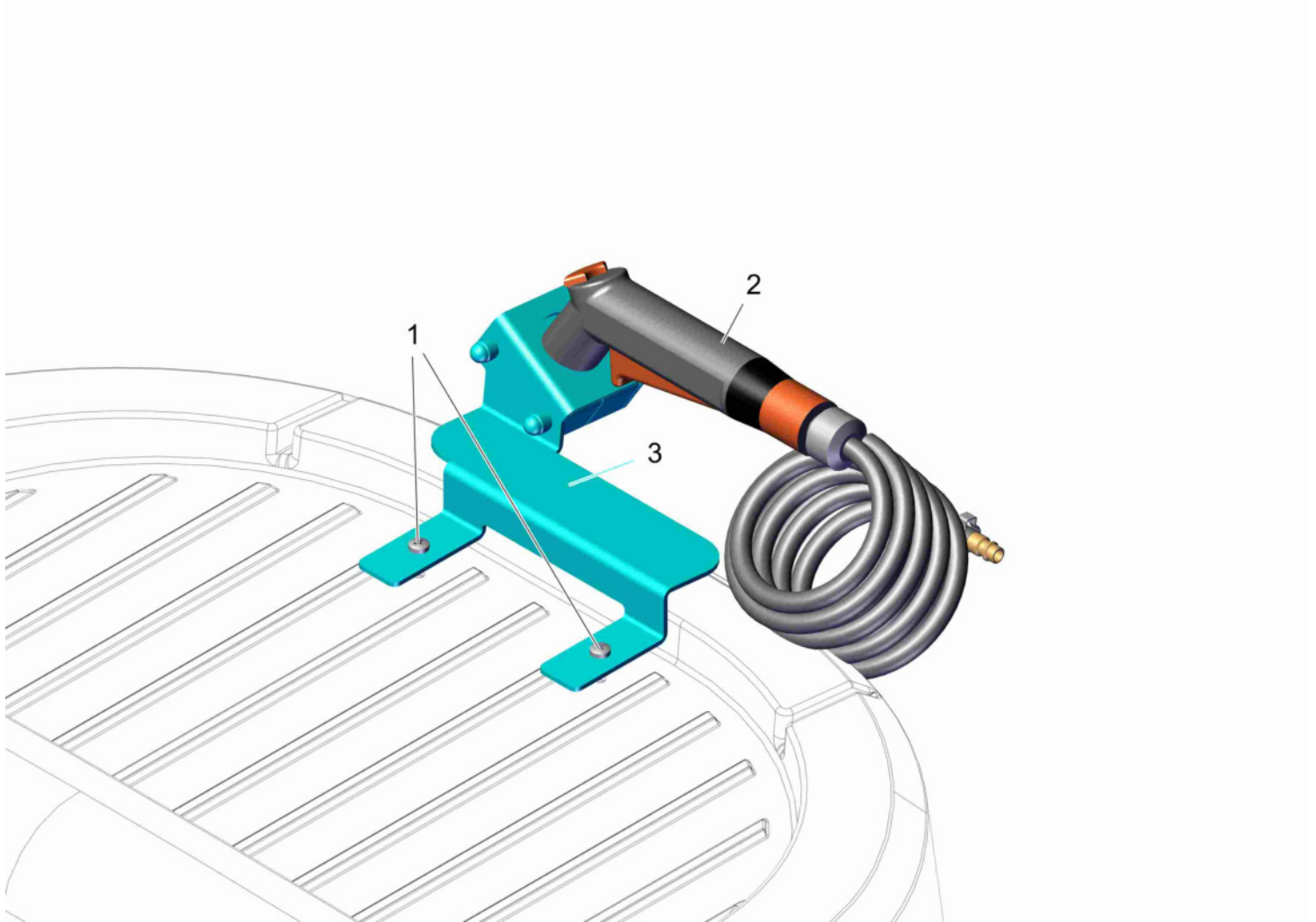
Fresh water cap (variant without automatic filling unit) (97143937) -->

Item	Part number	Description	Qty.	Unit	Remarks
1	01173540	Fresh water cap	1		



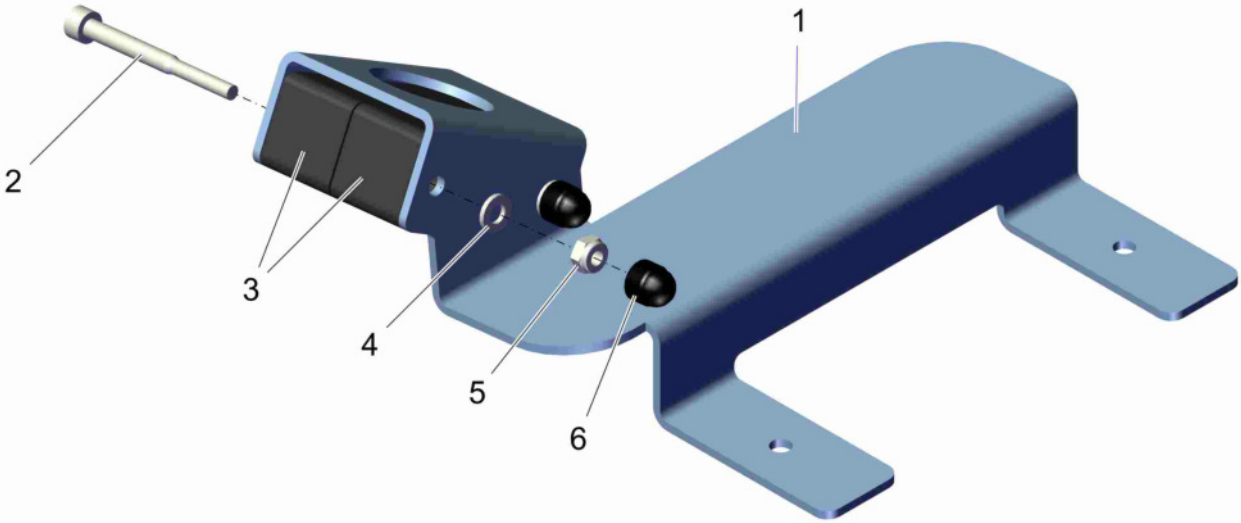
Preliminary parts for spraying tools at tank (97150296) -->

Item	Part number	Description	Qty.	Unit	Remarks
1	00959220	Screw	2		
2	01373100	connecting angle	1		
3	01090430	Screwed angle fitting	1		
4	01016090	Bulkhead union	1		
5	00552590	Quick hitch	1		
6	03007630	Sealing band (spool with 12m)	0,070		



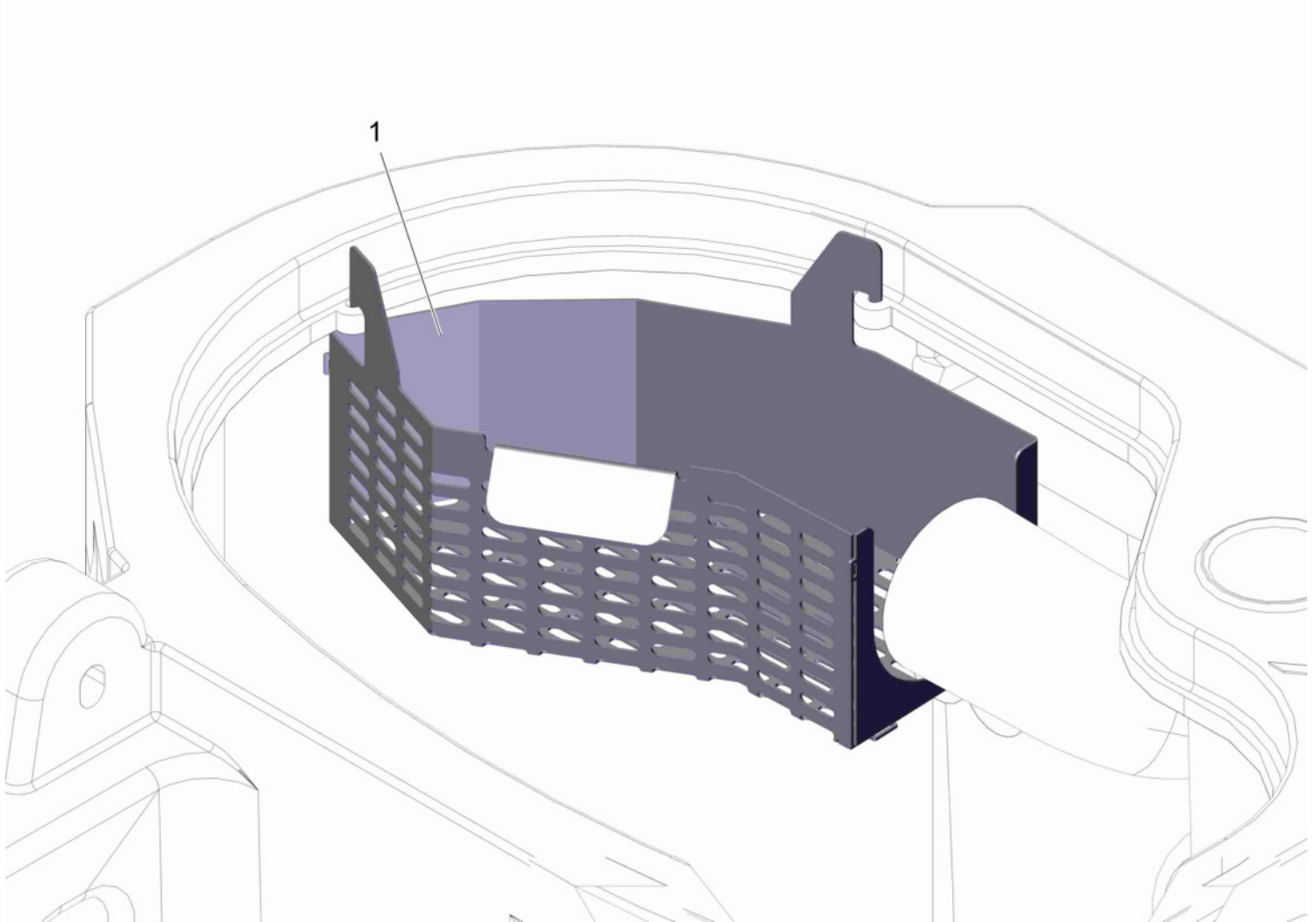
Spraying nozzle (97142384) -->

Item	Part number	Description	Qty.	Unit	Remarks
1	00873910	Truss head screw	2		
2	01372240	spray pistol with hose	1		
3	97147334	Retainer spraying nozzle	Page	104	



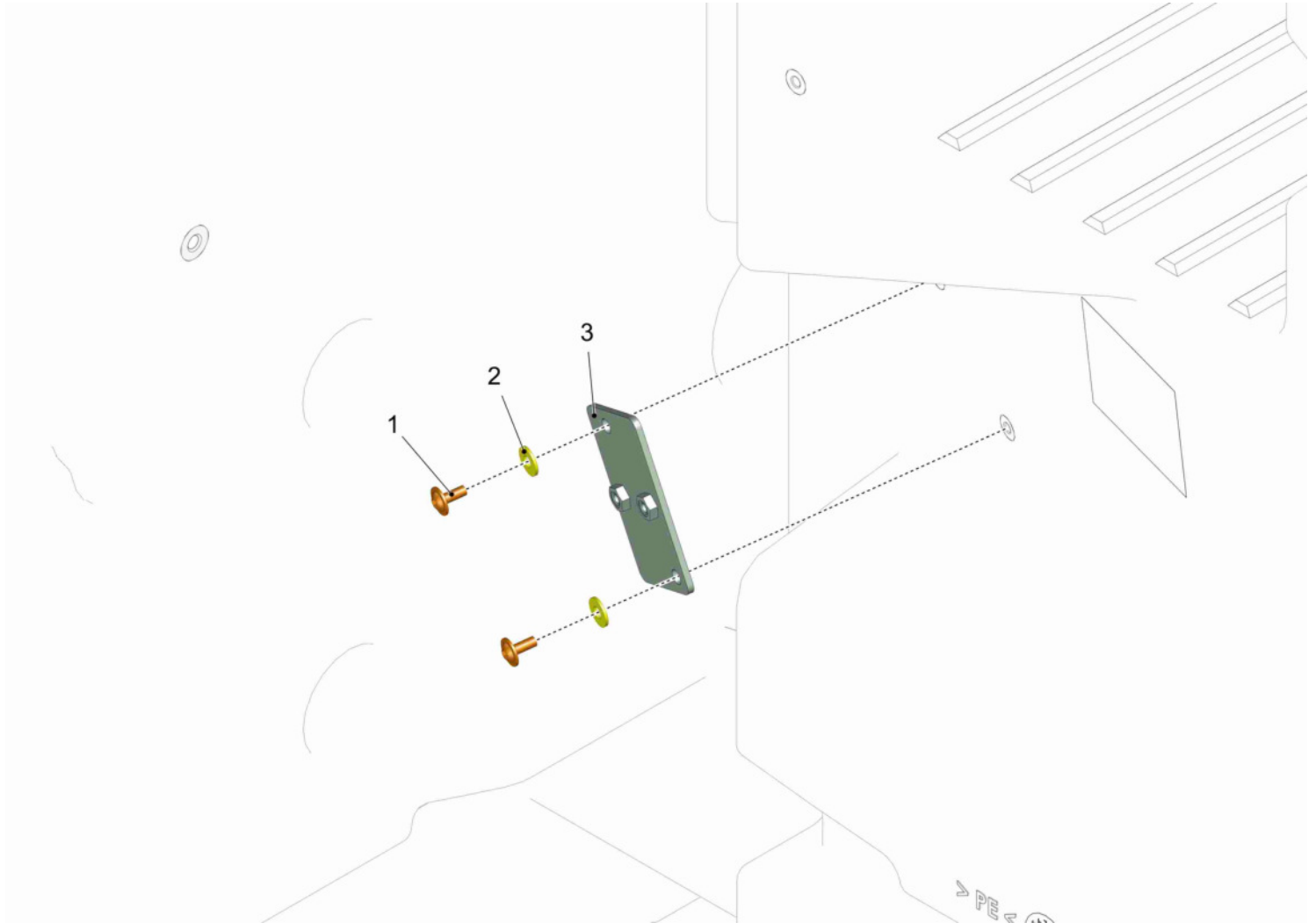
Retainer spraying nozzle (97147334) -->

Item	Part number	Description	Qty.	Unit	Remarks
1	01373710	retainer	1		
2	01271540	Socket head screw	2		
3	01477410	pair of clamping	1		
4	00053730	Washer	2		
5	00051520	Hex. Nut	2		
6	00525910	Lens cap	2		



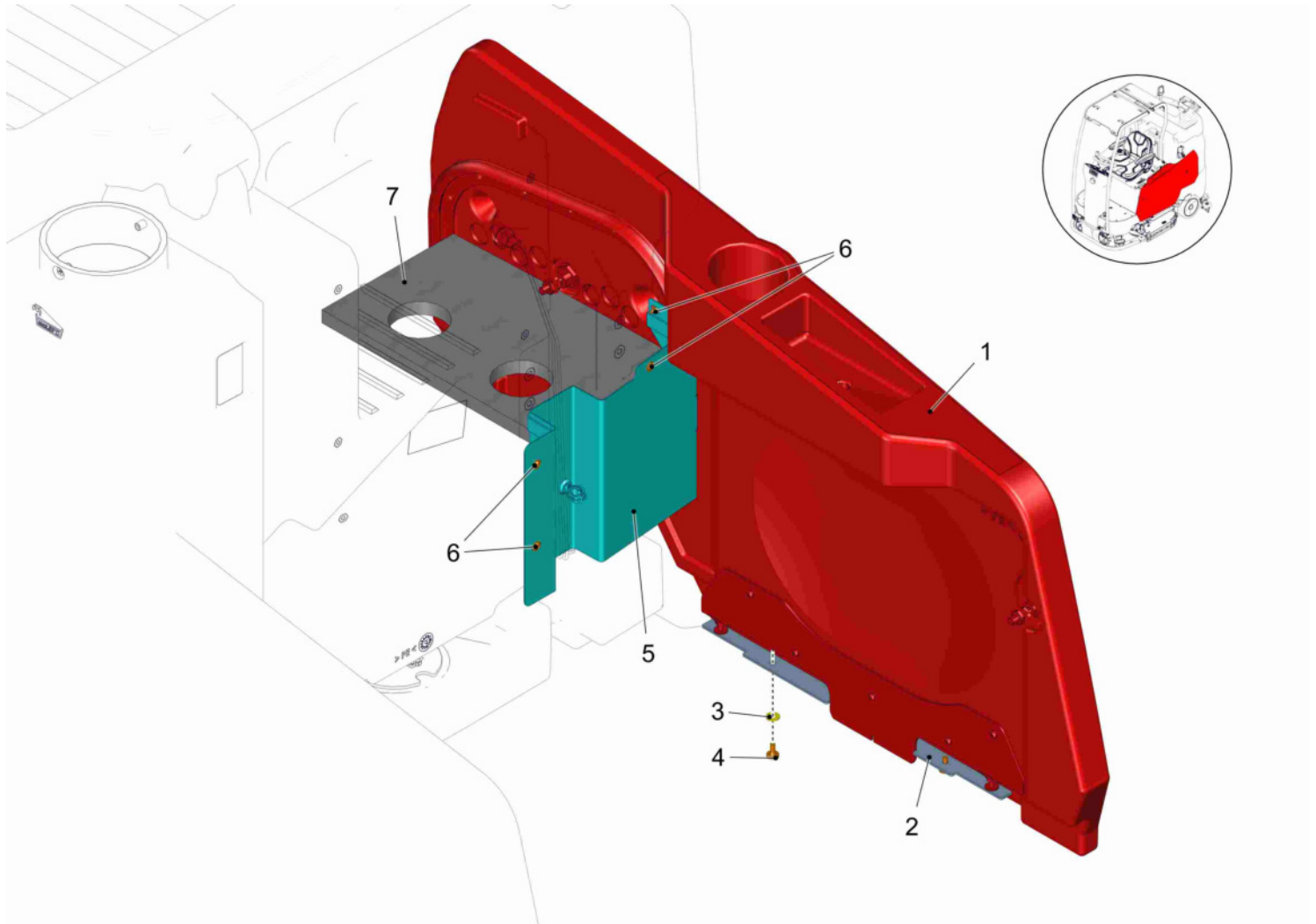
Rough mud strainer (97143929) -->

Item	Part number	Description	Qty.	Unit	Remarks
1	---	Spare part on request	1		96162896 rough mud strainer



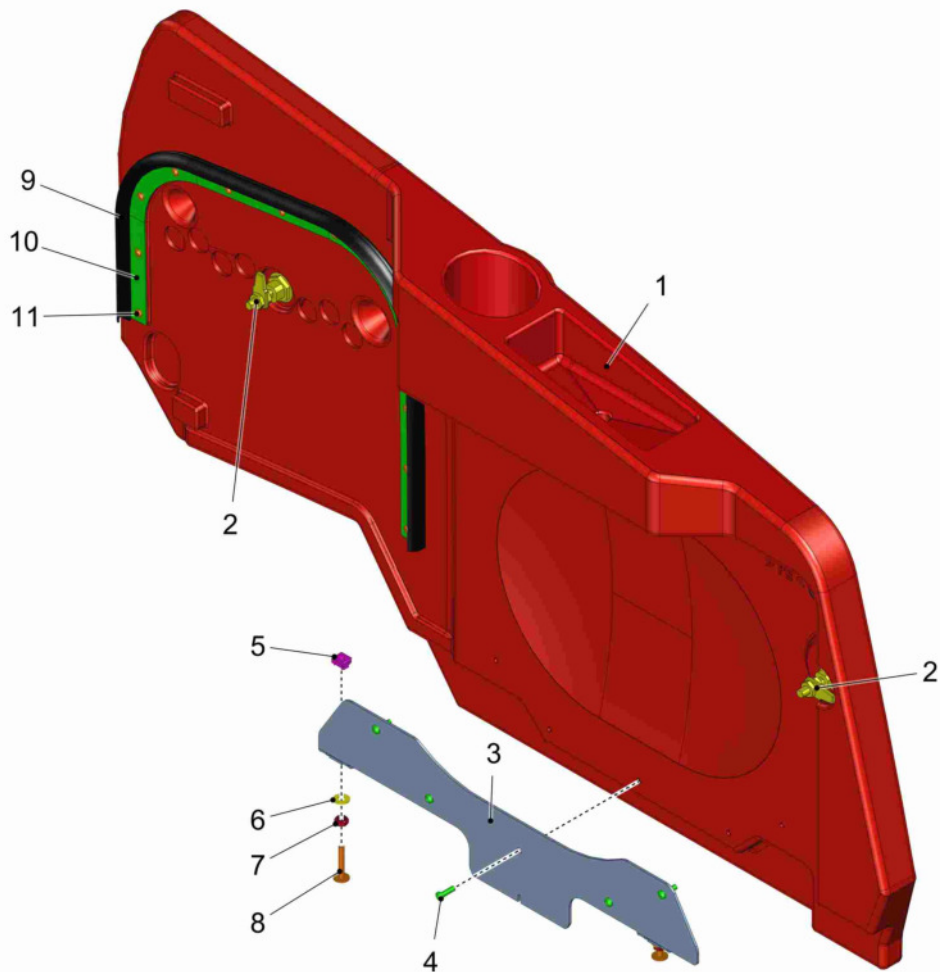
Retaining of battery plug (97160568) -->

Item	Part number	Description	Qty.	Unit	Remarks
1	01000850	Lens flange screw	2		
2	00730940	Detent edged washer	2		
3	01376620	adapter plate	1		



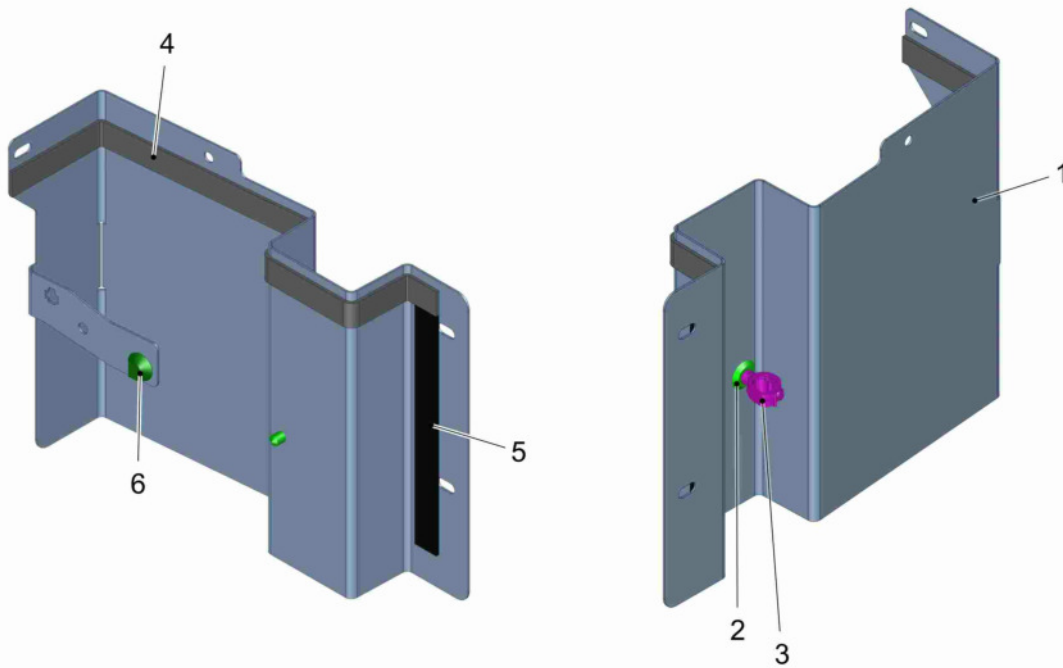
Side covering L.H. - seperating panel (97151013) -->

Item	Part number	Description	Qty.	Unit	Remarks
1	97146286	Side covering	Page	112	
2	01376220	sheet metal	1		
3	00740090	Detent edged washer	2		
4	01272710	Lens head screw	2		
5	97159875	Separating plate	Page	114	
6	01072520	Lens flange screw	4		
7	01376250	sealing plate	1		



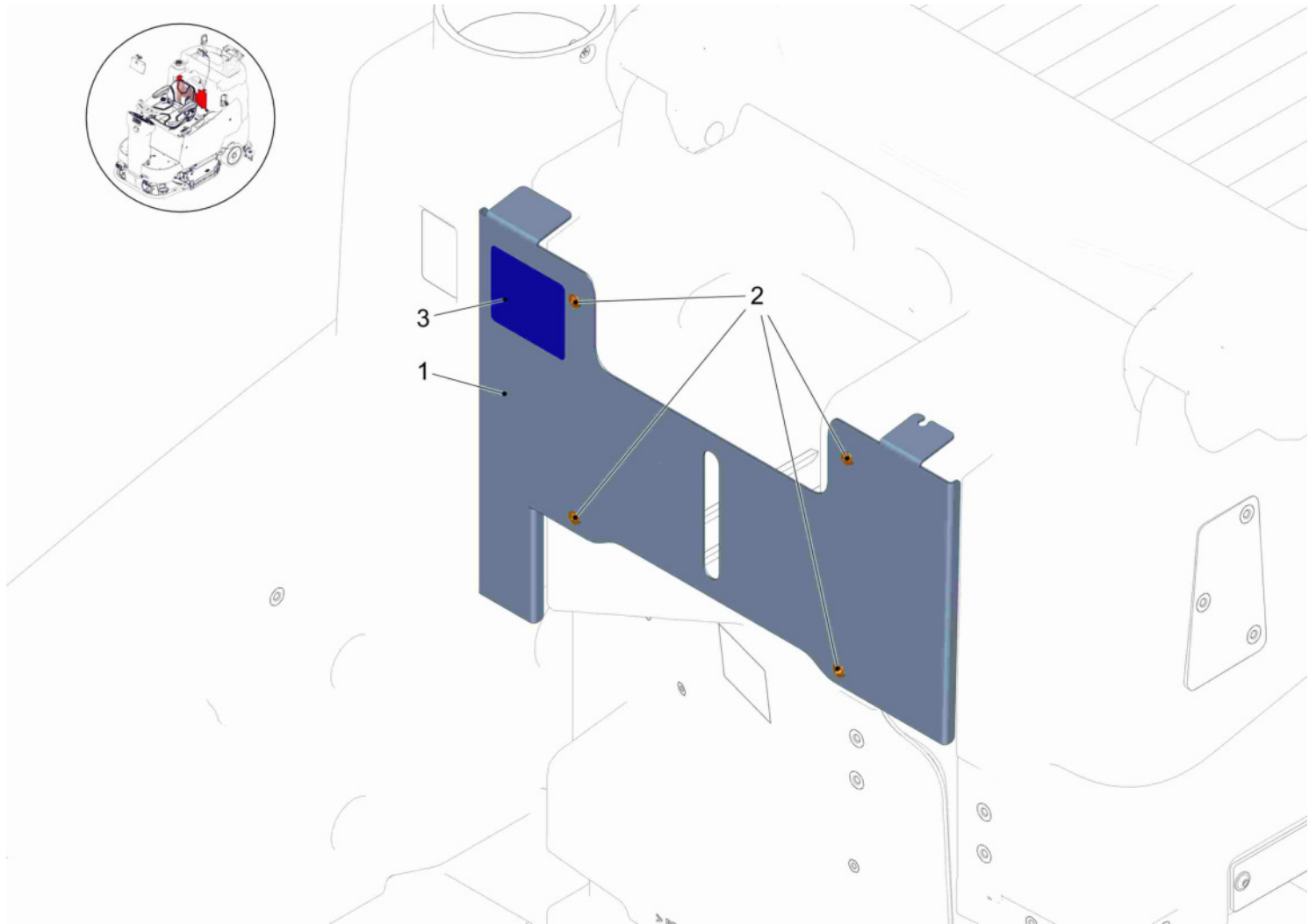
Side covering (97146286) -->

Item	Part number	Description	Qty.	Unit	Remarks
1	03021490	side covering	1		
2	00975120	Bolt lock	2		
3	01376060	centering	1		
4	01074430	Screw	5		
5	01154830	Cage nut	2		
6	00740090	Detent edged washer	2		
7	00053350	Hex. Nut	2		
8	01134740	Filister head flange screw	2		
9	---	Spare part on request	0,950		25583279 sealing profile
10	01376230	support	1		
11	00905520	Round head screw	12		



Separating plate (97159875) -->

Item	Part number	Description	Qty.	Unit	Remarks
1	01376030	covering	1		
2	01370240	mounting feet	1		
3	01370250	retainer	1		
4	01031000	Sealing tape	0,470		
5	01031000	Sealing tape	0,223		
6	01278080	Mounting clip	1		



Cover (variant without driver canopy) (97151021 7182-12) -->

Item	Part number	Description	Qty.	Unit	Remarks
1	01375980	cover	1		
2	01072520	Lens flange screw	4		
3	---	Spare part on request	1		17248162 decal AGR-certificate SCM B260 R,EN; for Scrubmaster B260 R; pos. at inner roof

PREFACE

Thank you for your purchase of the new industry standard for sweepers. PowerBoss® takes great pride in offering the most dependable, reliable, and best value in industrial power sweepers and scrubbers. We set the standard.

Our Customer Service Department would like to hear from you. If you see any errors, omissions or something that needs clarification in this Parts Catalog, please let us know. We are working hard towards continually improving our processes--to benefit you, our valued customer.

Please copy the form below, fill out and comment on how you found our manual.

Thank you!

The PowerBoss® Team

Name _____

Title: _____

Company Name: _____

Address: _____

Country: _____

Type of equipment or model number: _____

Comments: _____

Please return to:

Customer Service Manager
PowerBoss®, Minuteman International, Inc.
14N845 U.S. Route 20
Pingree Grove, Illinois 60140 USA

Phone: 800-323-9420

Email: tech@powerboss.com

This is the Parts Catalog for the PowerBoss® Armadillo 9X & 9XCE Sweeper Series.
 This Catalog covers the Armadillo 9X & 9XCE machine variations beginning December 2014.
 We believe this machine will provide excellent service for many years.

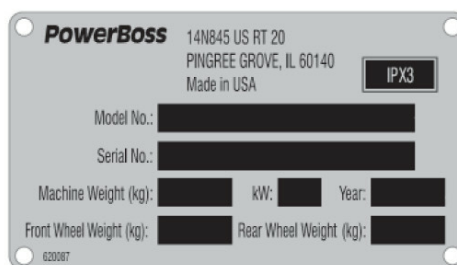
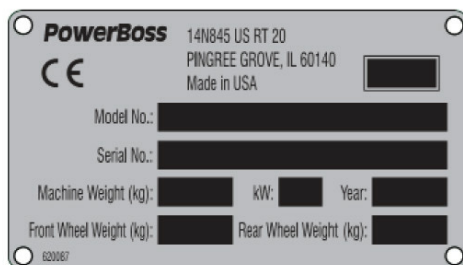
However, the best results will be obtained if:

- The machine is operated with reasonable care.
- The machine is maintained regularly per the maintenance schedule provided in the User Manual.
- The machine is maintained with PowerBoss® supplied or equivalent parts.

All right side and left side references to the machine (except for engine) are determined by facing the direction of forward travel. The front of the engine or engine fan faces the rear of the machine. Some hardware considered to be common or locally available has been omitted from the parts section to make this manual clear. Be sure to use equivalent hardware when replacement becomes necessary.

The Model and Serial Number of your machine is shown on the I.D. name plate. This information is needed when contacting Technical Support or when ordering parts. The I.D. plate is mounted on the console of the machine, left of the operator and adjacent the main broom adjustment access door.

Example I.D Plates:



Parts may be ordered by phone, fax, or email from any PowerBoss® parts and service center. Before ordering parts or supplies, be sure to have your machine model number and serial number handy. For your convenience Fill out the data block on the next page for future reference.

MACHINE DATA
 Fill out at installation

Serial Number: _____

Engine Serial Number: _____

Sales Rep.: _____

Date of Install: _____

All information contained in this catalog is current at the time of printing. PowerBoss®, Minuteman International, Inc. reserves the right to make changes at any time without notice.

PowerBoss®, Minuteman International, Inc., Copyright 2014-2015, Printed in USA.

TECHNICAL SPECIFICATIONS

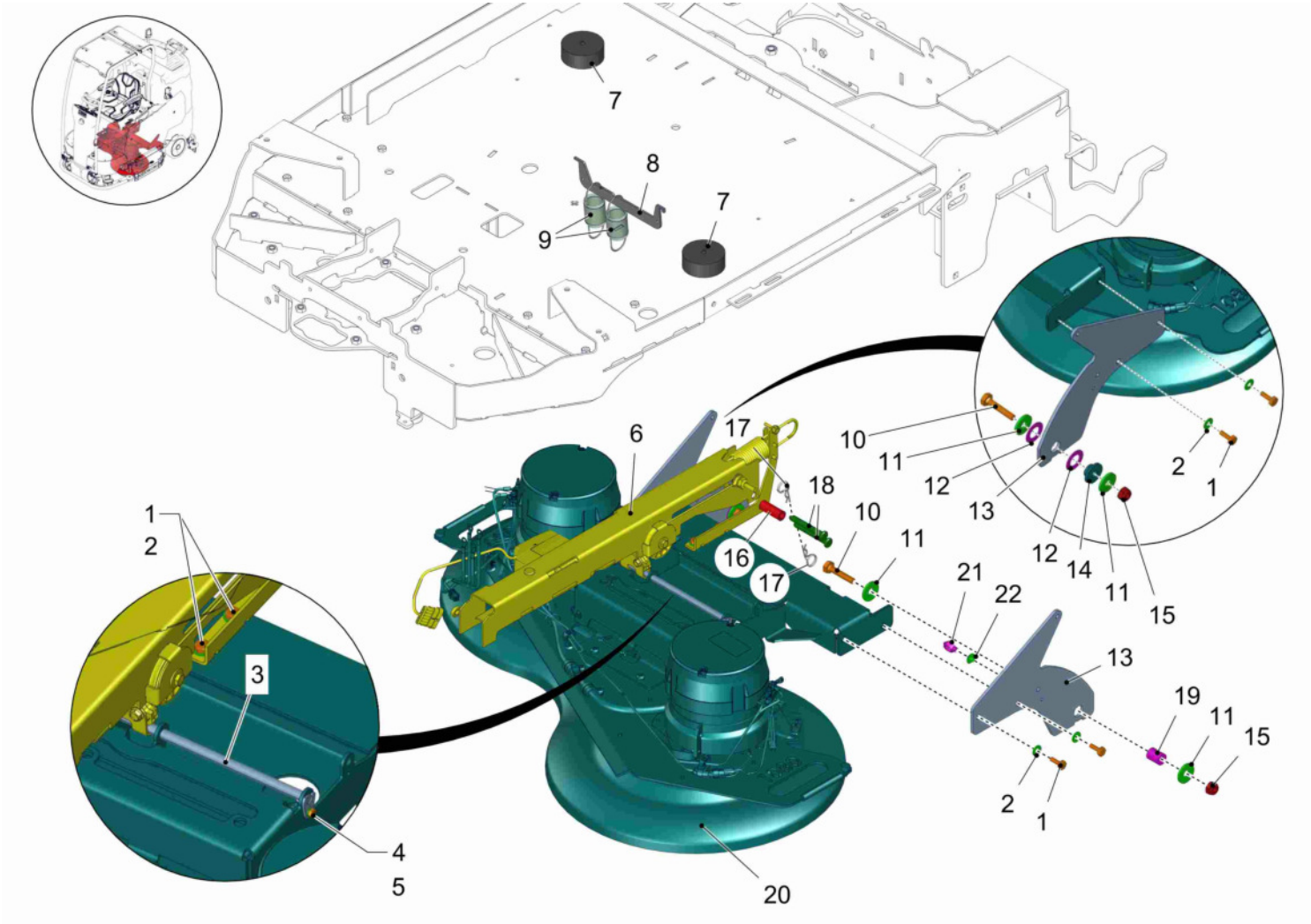
DIMENSIONS & WEIGHT

STANDARD ABBREVIATIONS

°C-Degrees Celsius	INFO-Information
°F-Degrees Fahrenheit	INT-Internal or Interior
12V-12 Volts DC	LG-Long
AR-Abrasion Resistant	LH-Left Hand
ASSY-Assembly	LPG-Liquefied Petroleum Gas
ATO-Standard Auto Fuse Type	LP-Liquefied Petroleum
Also called ATC	M8x1-Indicates Metric threads, 8mm Dia with a 1mm thread pitch
BHSCS-Button Head Screw SS	MM-Millimeters
BLK-Black	MNT-Mount
BLT-Belt	MS-Mld Size
BR-Brass or Broom or Brush	OD-Outside Diameter
BRM-Broom	PLTD-Plated
BRKT-Bracket	REV-Reverse
CB-Curb Broom	RH-Right Hand
CCW-Counter Clockwise	ROT-Rotation
CI-Cubic Inch	RTR-Rotary Trash Relocator
CW-Clockwise Rotation	SCR-Screw
CYL-Cylinder	SC-Scrubber
DEG-Degrees	SP-Service Part
DIA-Diameter	SPDT-Single Pole Double Throw
DPDT-Double Pole Double Throw	SPST-Single Pole Single Throw
ELEC-Electric	SS-Stainless Steel
ES-Elastic Stop, also Nyloc	STR-Straight
EXT-Exterior or Extended	ST-Straight
FI-Fuel Injection	SUB-Sub Assembly
FS-Full Size	THD-Thread
FTG-Fitting	THK-Thick
FWD-Forward	THRU-Through
REV-Reverse	UNC-Unified Nat'l Coarse Threads
GAL-US Gallon (3.79 Liters)	UNF-Unified Nat'l Fine Threads
GOV-Governor	V1505-Kubota Diesel Engine
HD-Head	W/-With
HD-Heavy Duty	WELD-Weldment
HOP-Hopper	W/O-Without
HSS-High Speed Steel	SP-Zinc Plated
HT-High Temperature	
HT-Height	
HYD-Hydraulic	
ID-Identification	
ID-Inside Diameter	
IMP-Impeller	

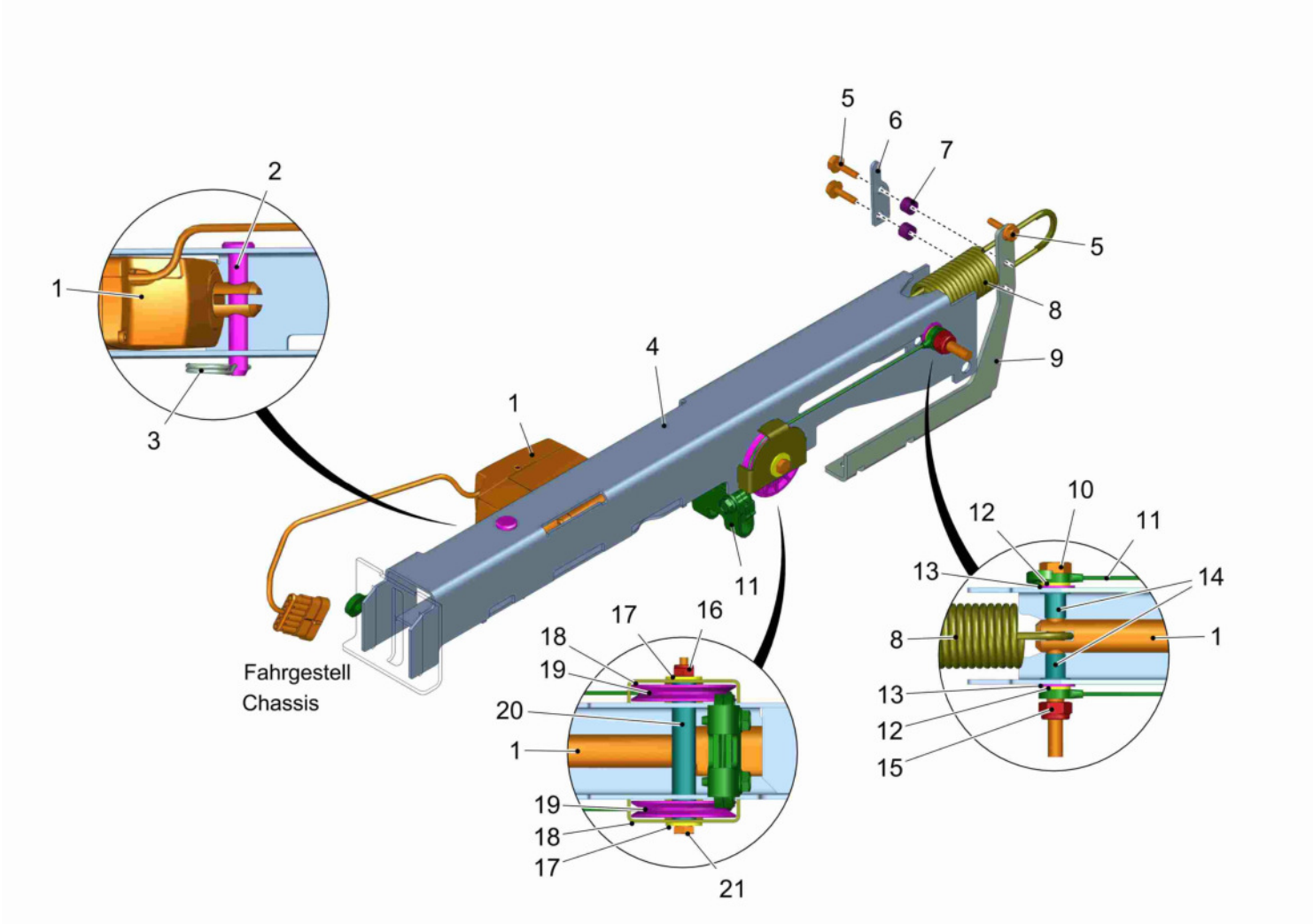
Table of Contents

Disk brush head 1080 (97151732)	123
Side wiper disk brush head 1080 (97151187)	137
Squeegee with lifting (97154033 7182-70).....	143



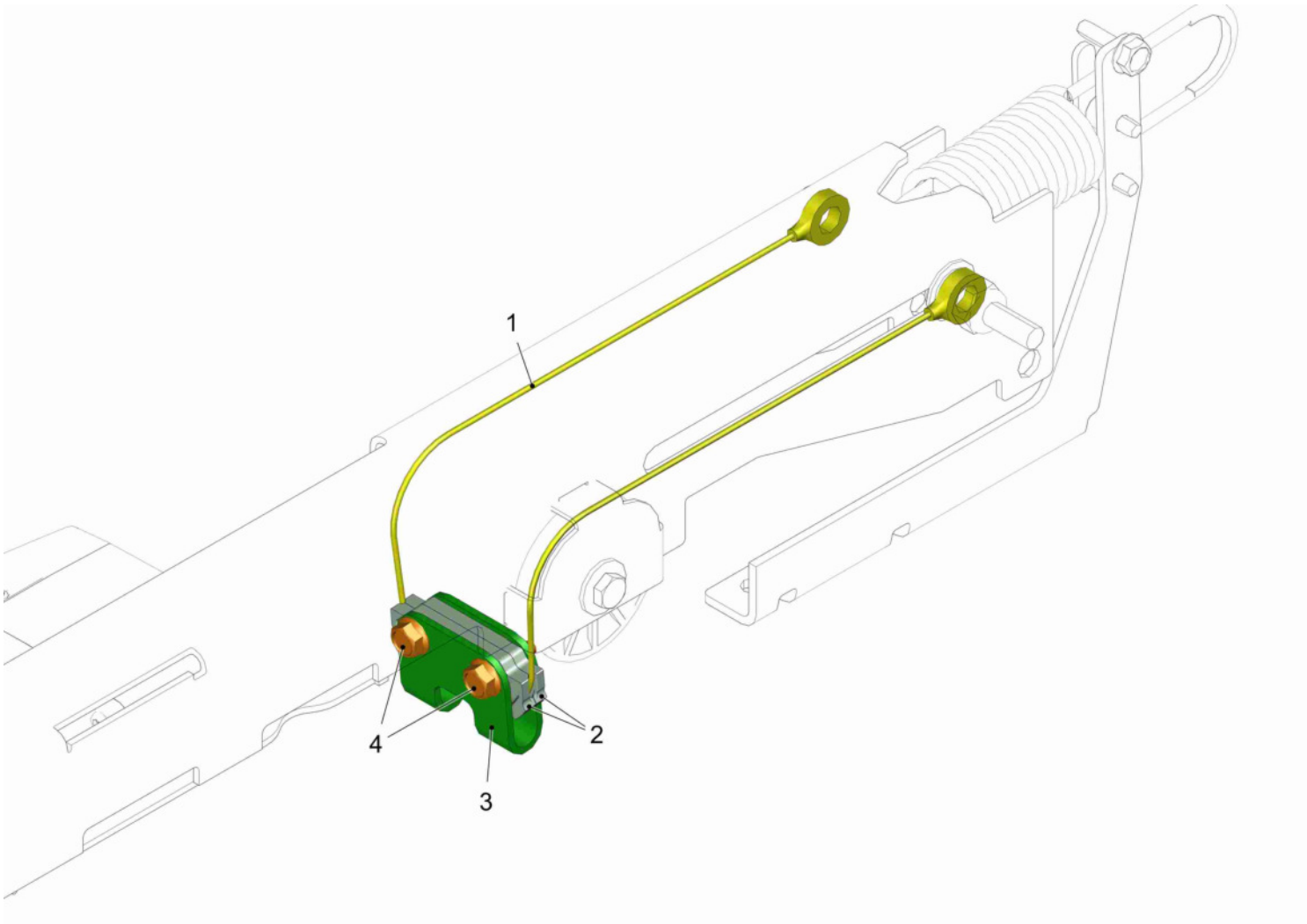
Disk brush head 1080 (97151732) -->

Item	Part number	Description	Qty.	Unit	Remarks
1	00053310	Hexagon screw	6		
2	00740290	Detent edged washer	6		
3	01376720	bolt	1		
4	00053010	Hex.bolt	1		
5	00740280	Washer	1		
6	97153670	Lifting disk brush head	Page	125	
7	01278160	Buffer	2		
8	01375670	restoring device	1		
9	01375680	tension spring	2		
10	01111790	Hexagon screw	2		
11	01495650	Washer	4		
12	01499130	starting disc	2		
13	01376290	rocker sheet metal	2		
14	01376470	bushing	1		
15	01102650	Hex. Nut	2		
16	00200170	PVC hose	0,050		
17	00744820	Cotter pin	2		
18	00879630	Bolt	2		
19	01376550	bushing	1		
20	97155832	Brush head 1080	Page	129	
21	01370250	retainer	1		
22	01370240	mounting feet	1		



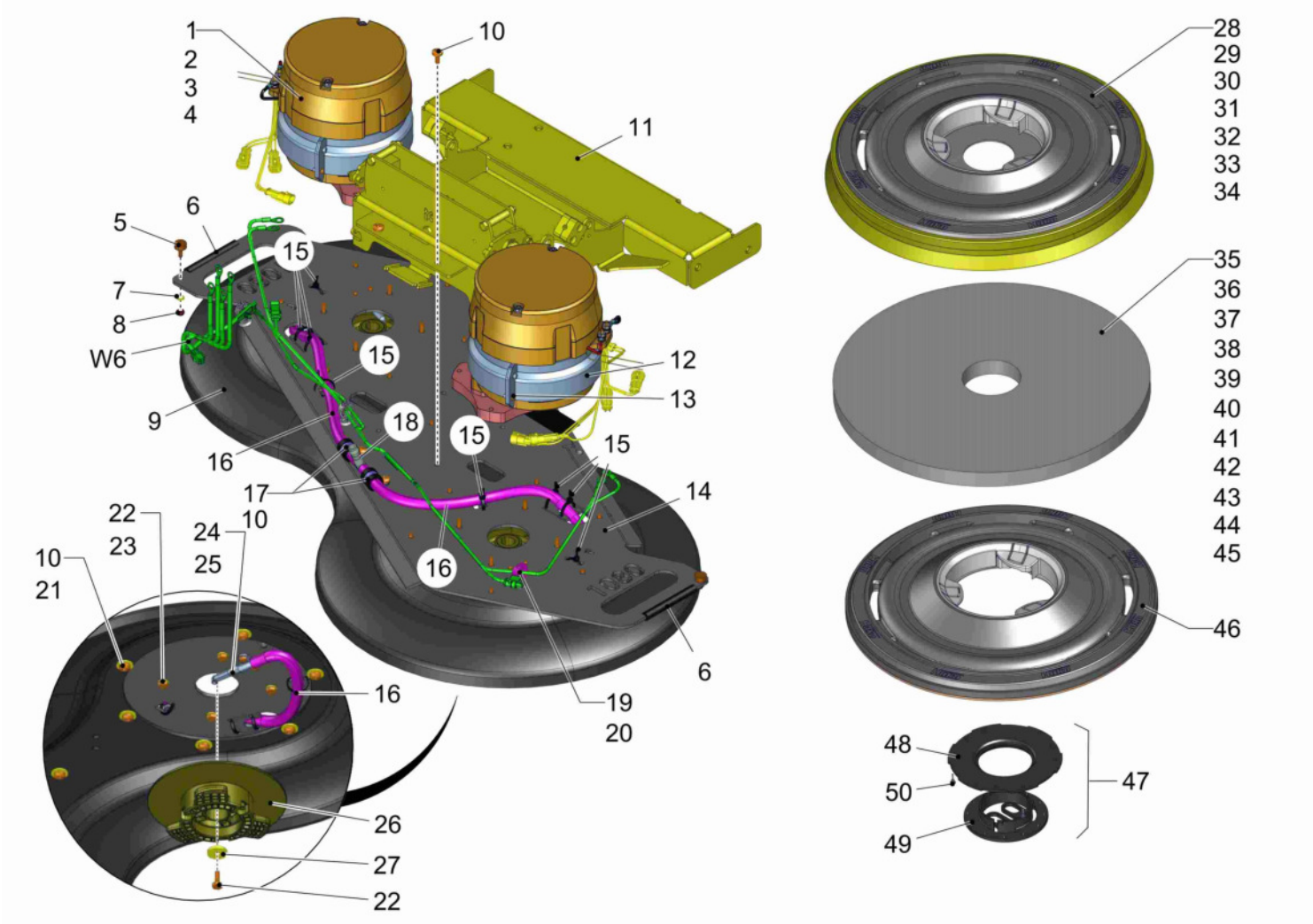
Lifting disk brush head (97153670) -->

Item	Part number	Description	Qty.	Unit	Remarks
1	01370110	lifting element	1		
2	01078040	Bolt	1		
3	00744820	Cotter pin	1		
4	01377480	recruitment guide	1		
5	01371040	screw	3		
6	01375460	retaining washer	1		
7	01135600	Slide bearing bush	2		
8	01375510	tension spring	1		
9	01375600	proof lever	1		
10	00025300	Hex.bolt	1		
11	97156285	lifting rope	Page	127	
12	00156720	Washer	2		
13	01102770	Approach disk	2		
14	01072930	Slide bearing bush	2		
15	00051490	Hex. Nut	1		
16	00051510	Hex. Nut	1		
17	00042900	Washer	2		
18	01370980	rope assurance	2		
19	00521270	Roller	2		
20	01372810	pipe	1		
21	00053150	Hex.bolt	1		



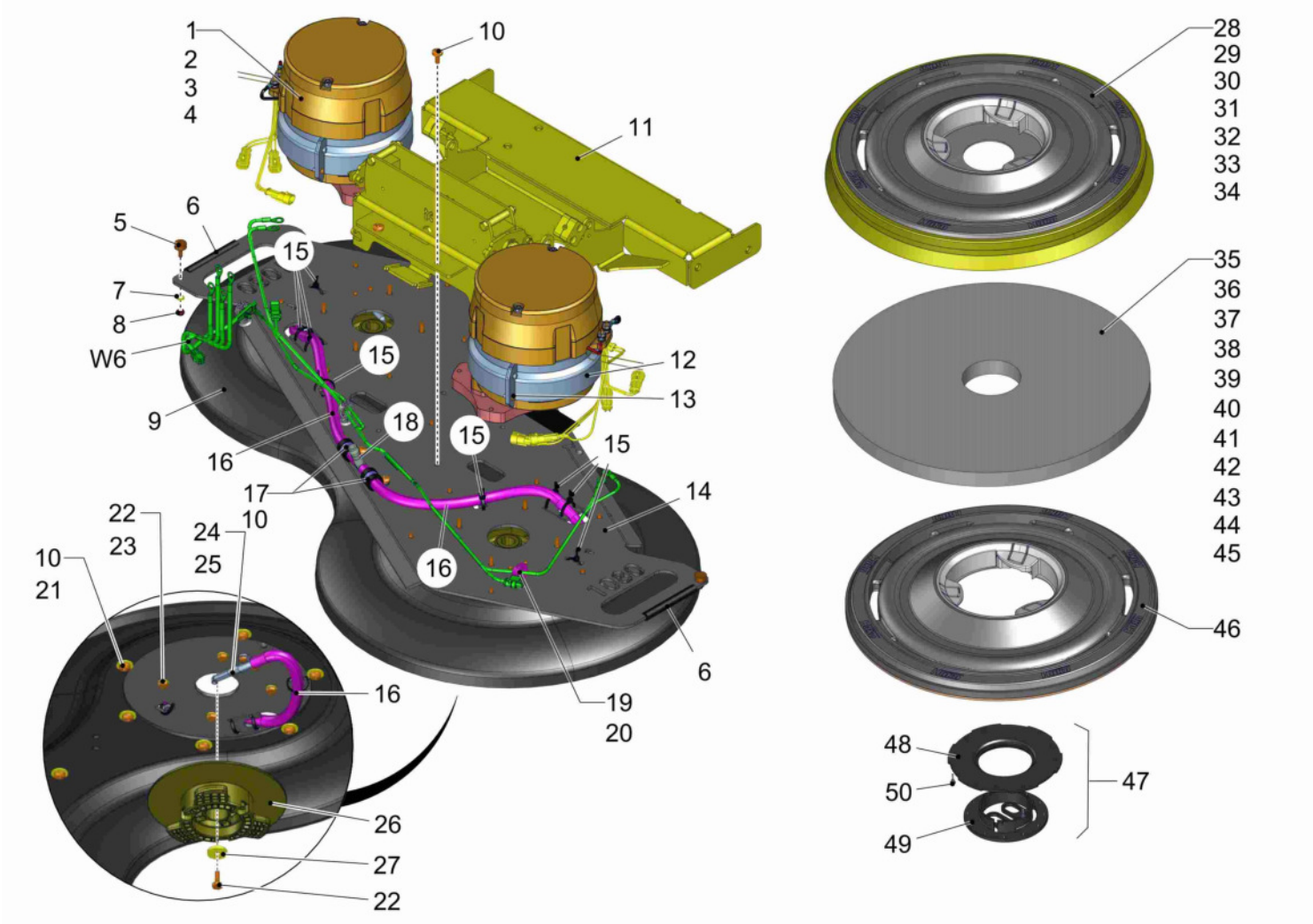
lifting rope (97156285) -->

Item	Part number	Description	Qty.	Unit	Remarks
1	01375470	rope	1		
2	01371070	cable guide	2		
3	01371050	roller assembly	1		
4	01371040	screw	2		



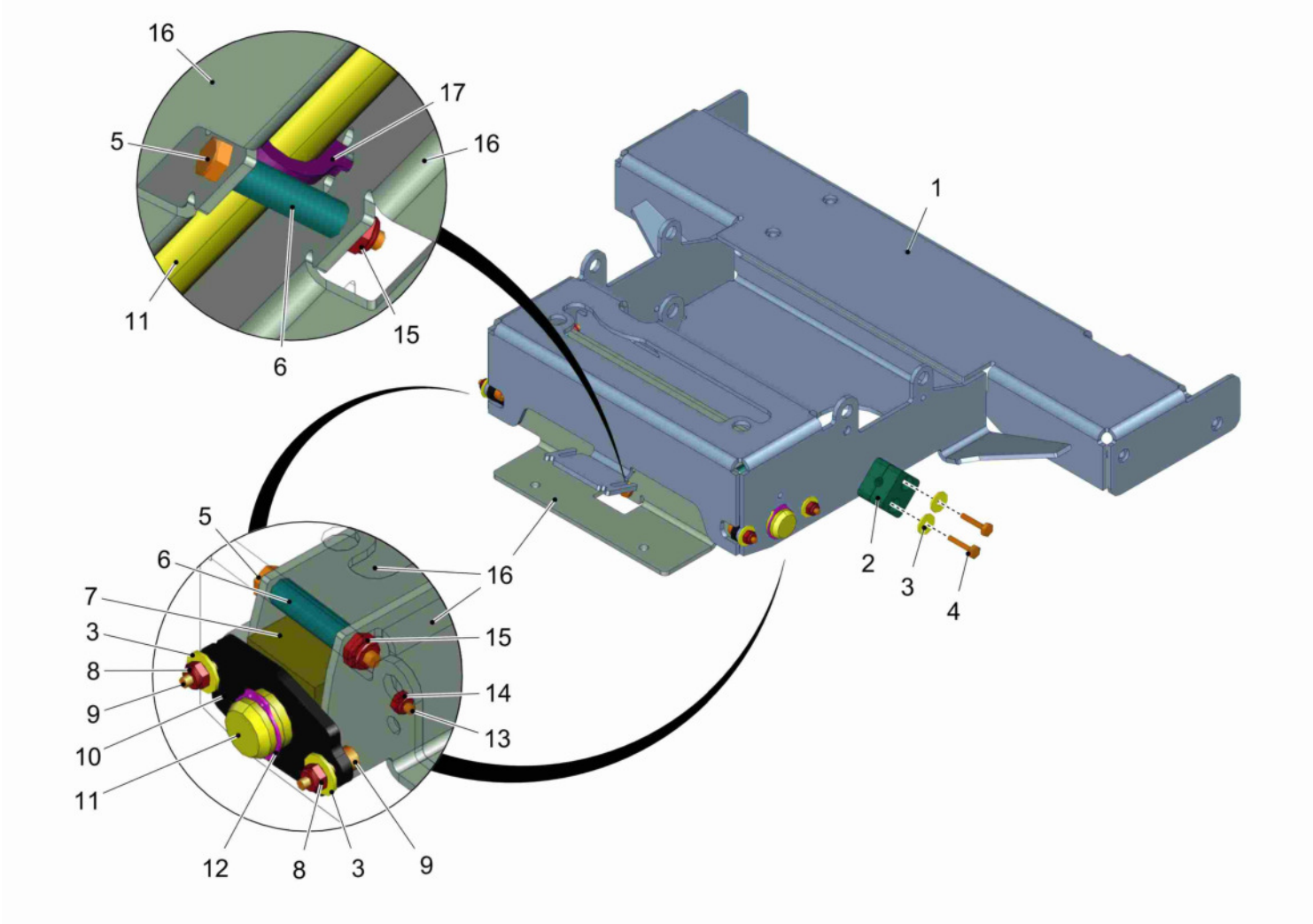
Brush head 1080 (97155832) -->

Item	Part number	Description	Qty.	Unit	Remarks
1	01271070	Motor Amer 710W 36V	2		
2	01274230	Carbon brush	1		
3	01274300	Carbon brush housing	1		
4	01277040	Rotary shaft seal	1		on gear's output side
5	00127470	Buffer	2		
6	01113660	Hose	0,100		
7	00053730	Washer	2		
8	00051520	Hex. Nut	2		
9	01371750	covering 1080	1		
10	01272710	Lens head screw	19		
11	97153464	Head rocker	Page	133	
12	01271080	Splash guard	4		
13	01170850	Screw	8		
14	01375580	plate 1080	1		
15	00967760	Cable tie	8		
16	00562480	Spiral hose	0,600		
17	00159550	Pipe clamp	2		
18	00901310	T-reducer muff	1		
19	01370250	retainer	3		
20	01370240	mounting feet	3		
21	00042900	Washer	13		
22	00704610	Hex.bolt	10		
23	00053750	Washer	8		
24	00861700	Spray tube	2		
25	01171270	Screw	4		
26	97111066	Brush carrier cpl.	Page	135	
27	00879170	Washer	2		
28	99752220	disk brush 22(560) PPN 0.5	2		Degree of soiling light to medium
29	99752230	Disk brush 22(560) K901	2		Degree of soiling light to medium, structured flooring
30	99752210	Disk brush 22(560) 5-comp.	2		especially for structured car park flooring
31	99752250	Disk brush 22(560) PPN 0.8	2		Degree of soiling medium to heavy
32	99752240	Disk brush 22(560) SIC K600	2		Degree of soiling medium to heavy, structured flooring
33	99752260	Disk brush 22(560) SIC K180	2		Very heavy soiling and basic cleaning



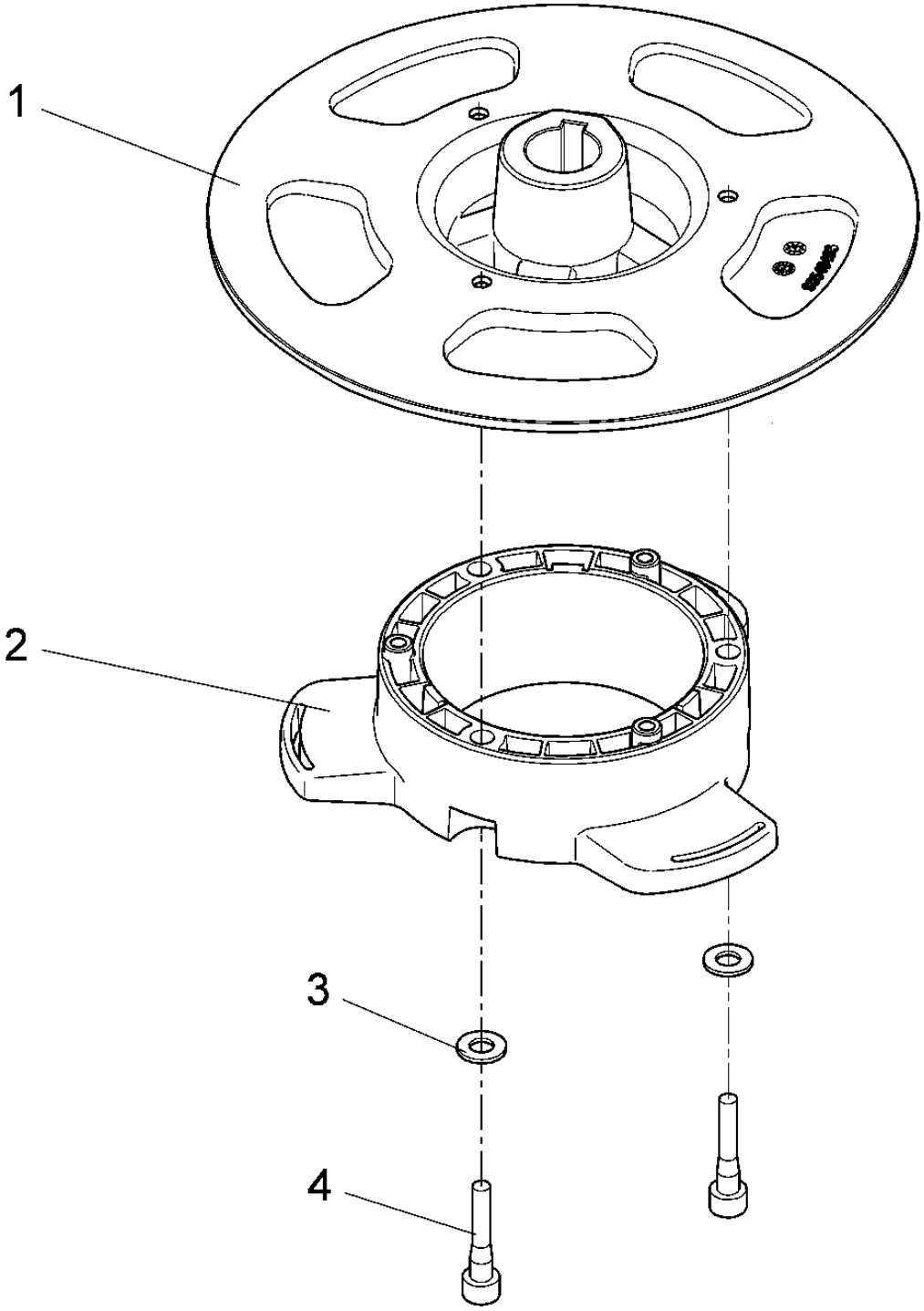
Brush head 1080 (97155832) -->

Item	Part number	Description	Qty.	Unit	Remarks
34	99752270	Disk brush 22(560) SIC K120	2		Extremely heavy soiling and basic cleaning
35	99766405	Super-Pad 22(560) red (5pcs)			Light soiling, red
36	99766415	Super-Pad 22(560) blue (5pcs)			Degree of light and medium soiling and maintenance cleaning, blue
37	99766425	Super-Pad 22(560) green (5pcs)			Medium soiling and maintenance cleaning, green
38	99766435	Super-Pad 22(560) brown (5pcs)			Maintenance cleaning, brown
39	99766445	Super-Pad 22(560) black (5pcs)			Basic cleaning and heavy soiling, black
40	99766420	Microfibre-Pad 22(560)			
41	99766402	Twister-Pad 22(560) white (2pcs)			
42	99766412	Twister-Pad 22(560) yellow (2pcs)			
43	99766422	Twister-Pad 22(560) green (2pcs)			
44	99766432	Twister-Pad 22(560) red (2pcs)			
45	99766430	Melamin Super-Pad 22(560)			
46	99766400	Padholder 22(560)			
47	00712010	Center-lock, cpl.	1		incl. Items 48-50
48	00681500	Center-lock, lower part	1		
49	00681490	Center-lock, upper part	1		
50	00961490	Screw	3		
51	01377320	fitting key	2		
W6	03021880	wiring harness W6	1		



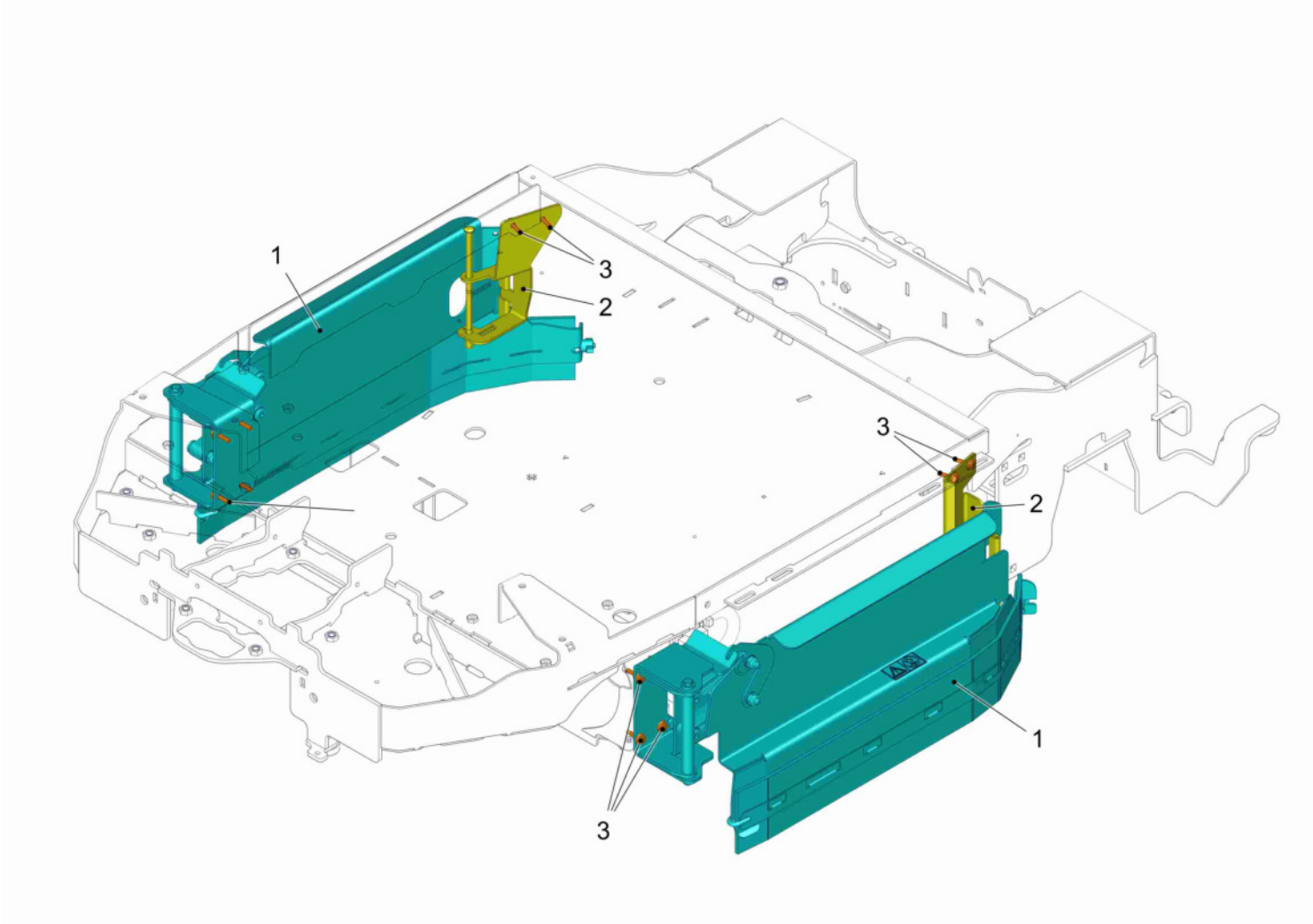
Head rocker (97153464) -->

Item	Part number	Description	Qty.	Unit	Remarks
1	01375810	rocker	1		
2	01496100	Pair of clamping	1		
3	00135120	Washer	8		
4	00133130	Screw	4		
5	01376790	hexagon screw	3		
6	01376450	bushing	3		
7	01376410	link block	2		
8	00051520	Hex. Nut	4		
9	00022190	Cylinder head screw	4		
10	01375480	stop rubber	2		
11	01376680	axle	1		
12	01376800	circlip	2		
13	01178830	Socket head screw	2		
14	01017660	Hex. Nut	2		
15	00101540	Hex. Nut	3		
16	01375550	slide plate	2		
17	01375620	ring	1		



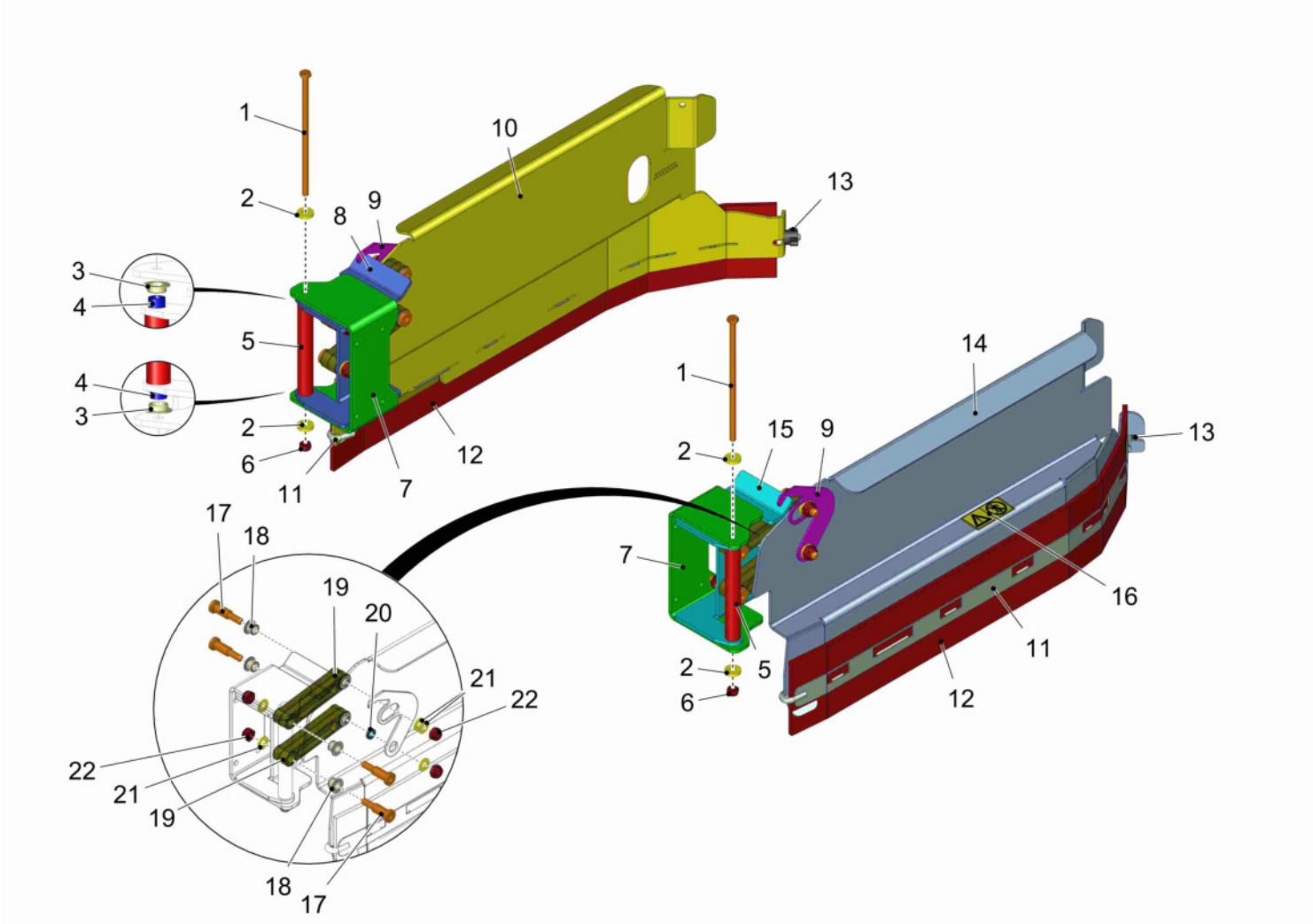
Brush carrier cpl. (97111066) -->

Item	Part number	Description	Qty.	Unit	Remarks
1	01172810	Brush driver	1		
2	01172910	Driver	1		
3	00102150	Washer	3		
4	01170820	Socket head screw	3		



Side wiper disk brush head 1080 (97151187) -->

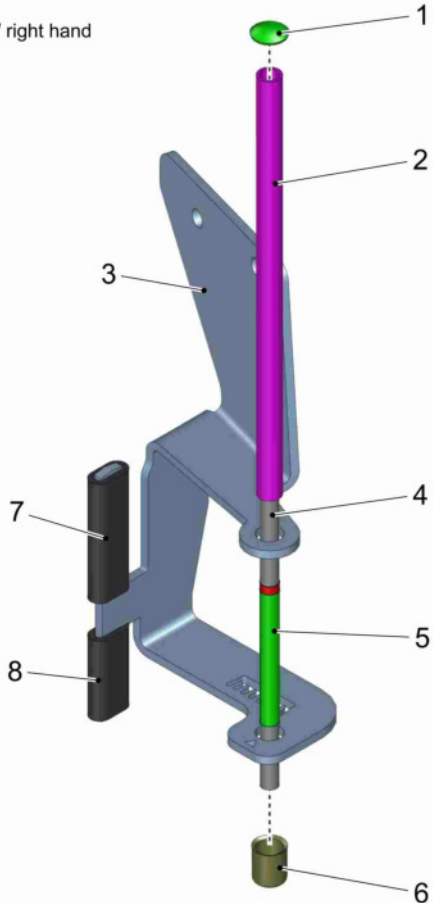
Item	Part number	Description	Qty.	Unit	Remarks
1	97152060-97152 078	Side wiper R.H. + L.H.	Page	139	
2	97152086-97152 094	Locking plate R.H. + L.H.	Page	141	
3	00959230	Hex.bolt	12		



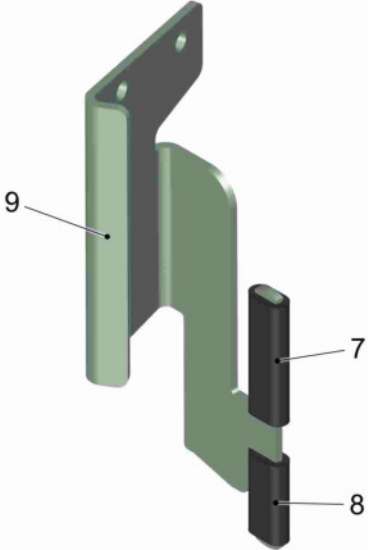
Side wiper R.H. + L.H. (97152060-97152078) -->

Item	Part number	Description	Qty.	Unit	Remarks
1	01375040	hexagon screw	2		
2	00695300	Washer	4		
3	01130080	Slide bearing bush	4		
4	01373400	tube	2		
5	00460890	Hose	0,140		
6	00051510	Hex. Nut	2		
7	01375990	steady arm	2		
8	01376000	swivel arm R.H.	1		
9	01376270	hook	2		
10	01376080	squeegee carrier R.H. 1080	1		
11	01373970	tension band long	2		
12	01077040	squeegee strip	2		
13	01111970	Wing nut	2		
14	01376110	squeegee carrier L.H. 1080	1		
15	01376130	swivel arm L.H.	1		
16	01272760	Decal KEEP OFF	2		
17	01374100	fitting screw	8		
18	01073860	Slide bearing bush	16		
19	01073870	Lever	4		
20	01074210	Bushing	2		
21	00053760	Washer	10		
22	00051500	Hex. Nut	8		

rechts / right hand

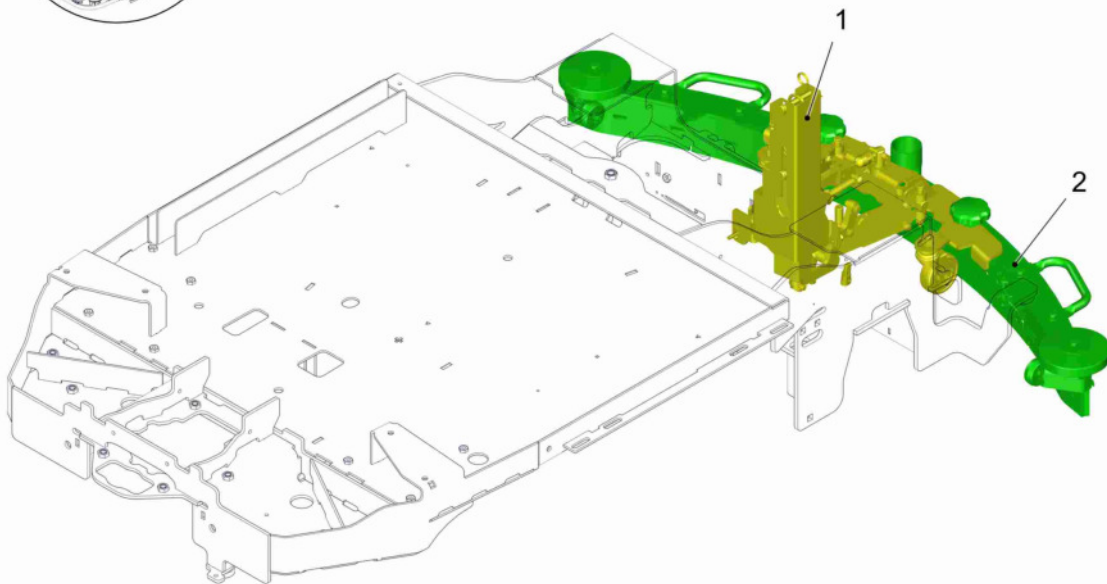
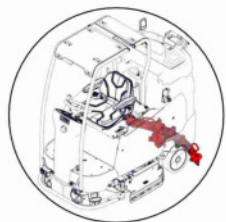


links / left hand



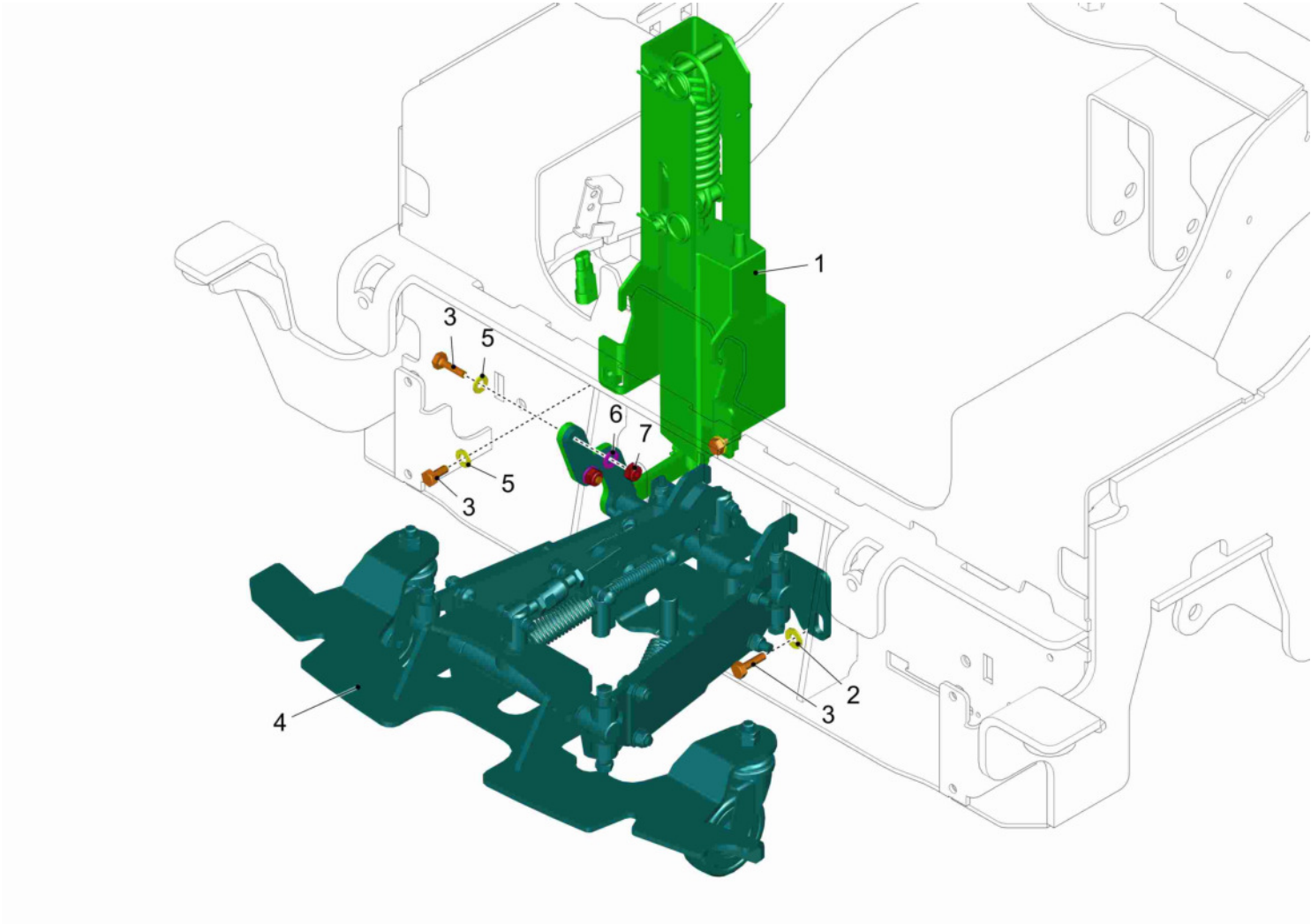
Locking plate R.H. + L.H. (97152086-97152094) -->

Item	Part number	Description	Qty.	Unit	Remarks
1	00695280	Thrust washer	1		
2	00711670	Hose	0,210		
3	01376160	squeegee guide R.H.	1		
4	01373610	pipe	1		
5	01111880	Decal ABBA	1		
6	01142460	Protection cap	1		
7	01132510	Hose	0,060		
8	01132510	Hose	0,040		
9	01376090	squeegee guide L.H.	1		



Squeegee with lifting (97154033 7182-70) -->

Item	Part number	Description	Qty.	Unit	Remarks
1	97146229	Squeegee linkage group	Page	145	
2	97142541	Squeegee 1260mm	Page	151	

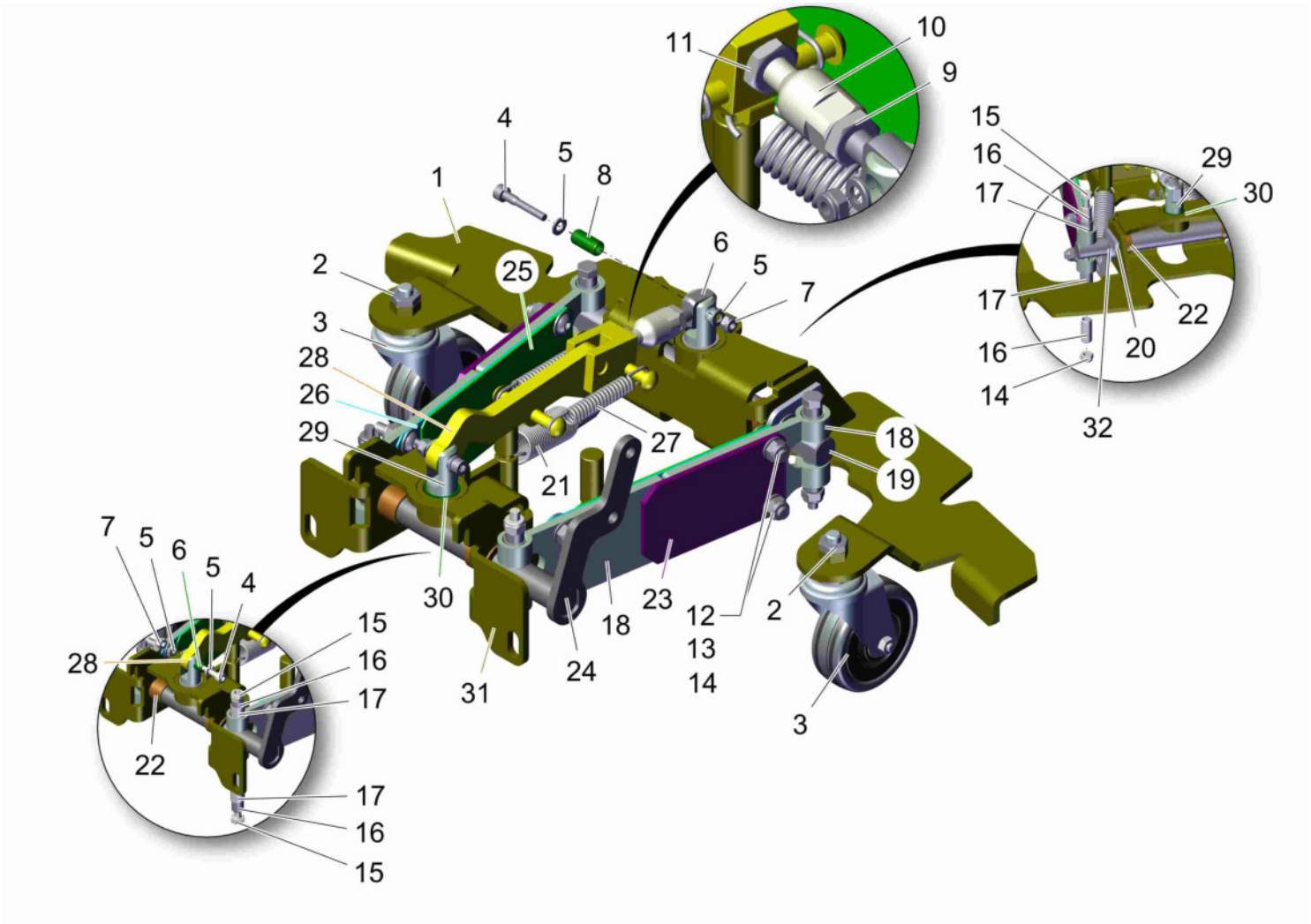


Squeegee linkage group (97146229) -->

Item	Part number	Description	Qty.	Unit	Remarks
1	97146245	Lifting element	Page	147	
2	00740090	Detent edged washer	2		
3	00053100	Hexagon screw	6		
4	03021740	Squeegee linkage group	Page	149	
5	00740310	Washer	4		
6	00053750	Washer	2		
7	00051510	Hex. Nut	2		

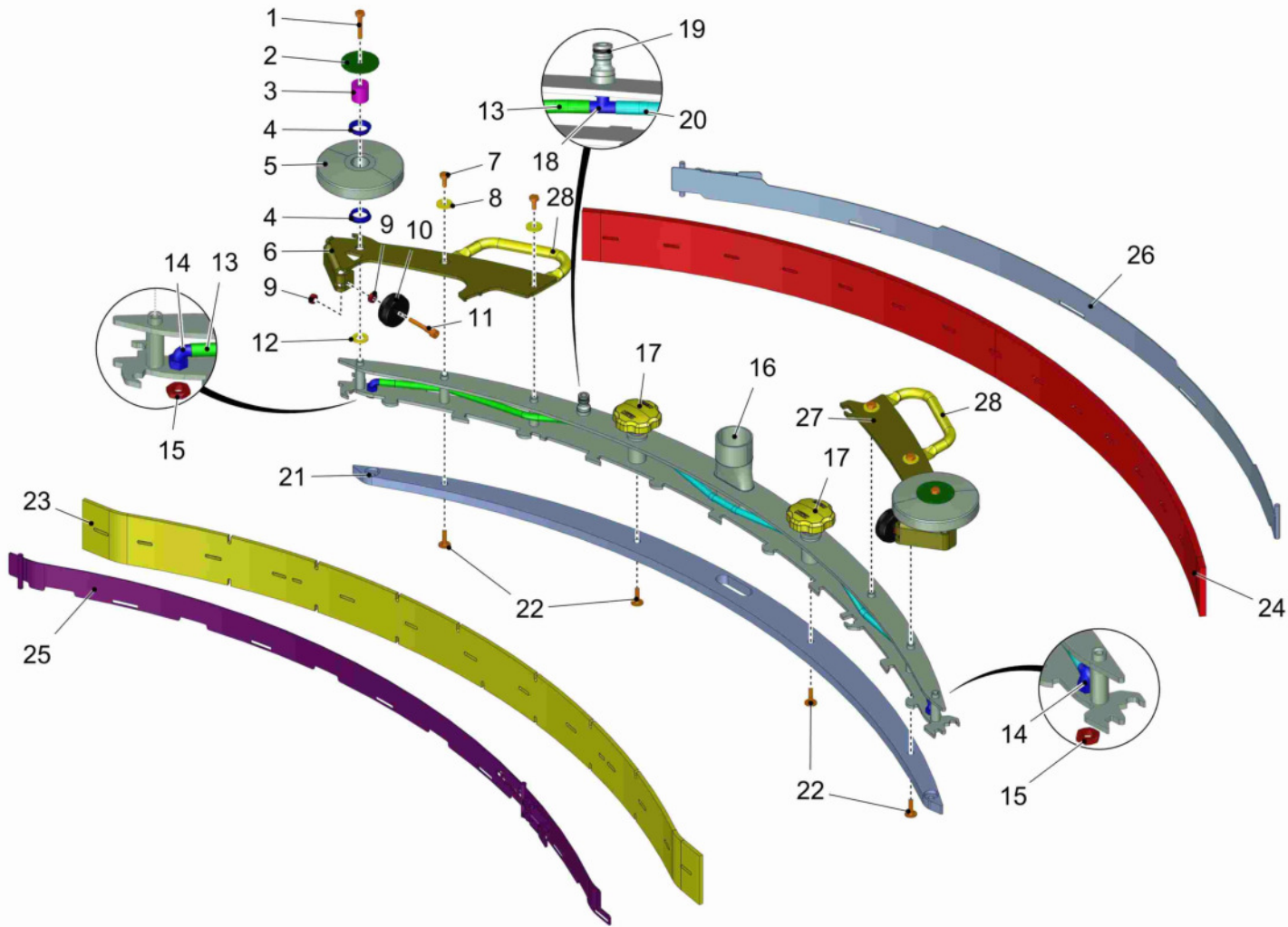
Lifting element (97146245) -->

Item	Part number	Description	Qty.	Unit	Remarks
1	00053760	Washer	4		
2	01271590	Starting disk	4		
3	01375970	lifting element guide	1		
4	00522020	Bolt	2		
5	00744820	Cotter pin	2		
6	00903290	Tube clamp	1		
7	01112160	Screw	1		
8	01376190	tension spring	1		
9	01375050	lifting element	1		
10	01072930	Slide bearing bush	2		
11	01154830	Cage nut	2		
12	00043450	Clevis pin	1		
13	00553580	Cotter pin	1		
14	01375950	lever	1		



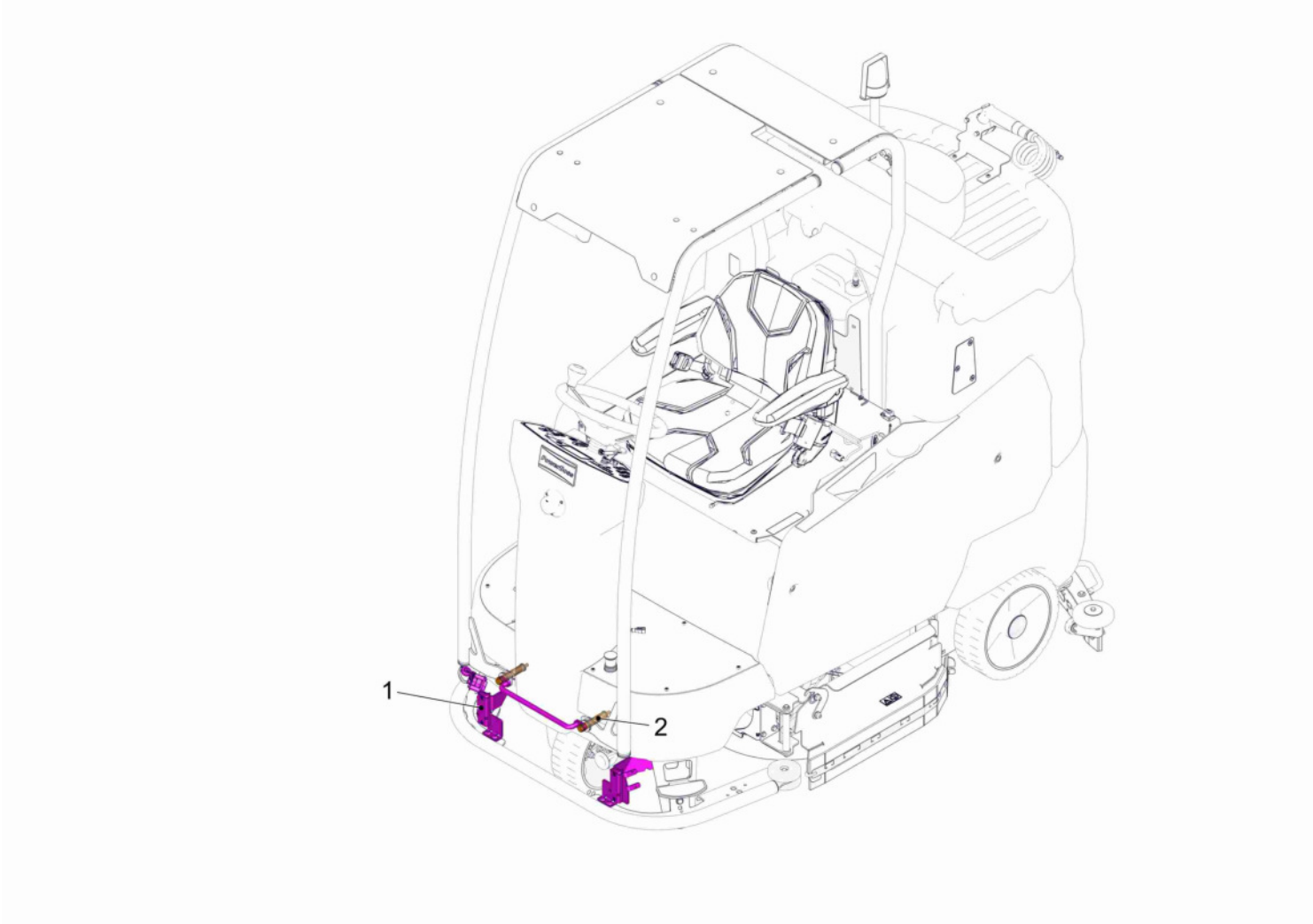
Squeegee linkage group (03021740) -->

Item	Part number	Description	Qty.	Unit	Remarks
1	01372500	base plate	1		
2	00074710	Hex. Nut	2		
3	01371420	steering roller	2		
4	01278920	Socket head screw	2		
5	00102150	Washer	4		
6	01373090	joint	1		
7	00102140	Hex. Nut	2		
8	01373280	bushing	2		
9	01375180	hexagon nut	1		
10	01373080	adjustment bushing			
11	01375180	hexagon nut	1		
12	01164420	Lens flange screw	8		
13	01226400	Detent edged washer	8		
14	00101540	Hex. Nut	12		
15	01371360	hexagon screw	4		
16	01373460	spacer sleeve	8		
17	00077900	DU-Drying socket	8		
18	01373730	adaptr	4		
19	01372720	shaft	1		
20	01372860	indicator	2		
21	01077710	Tension spring	2		
22	01377290	slide bearing bush	4		
23	01373240	guide	2		
24	01373800	shaft	1		
25	01371600	leaf spring	2		
26	01371520	leaf spring	2		
27	01371560	tension spring	2		
28	01371620	fork head	1		
29	01371570	fork head	2		
30	00734550	DU-Drying socket	2		
31	01373780	stop	1		
32	01370230	circlip	2		



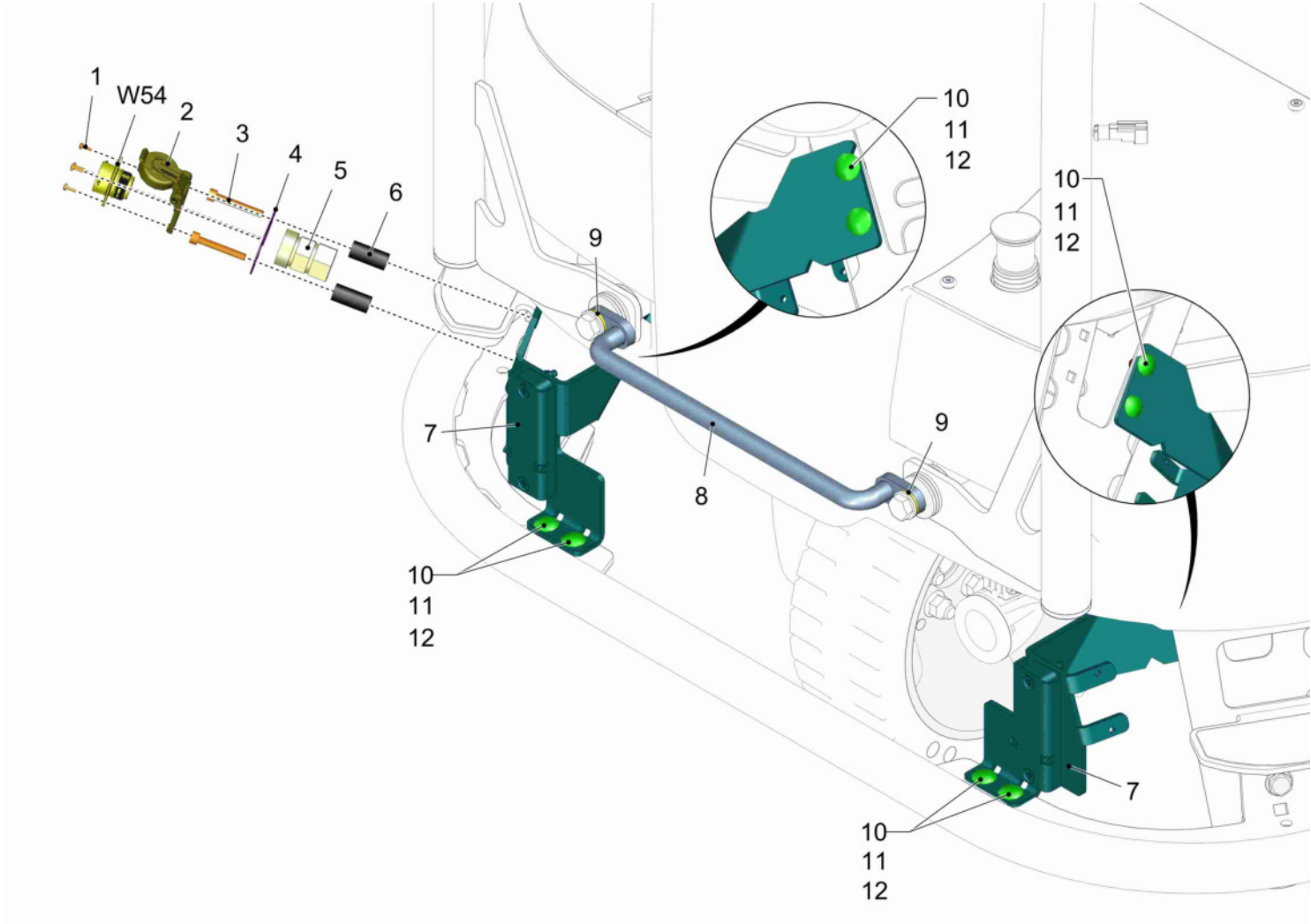
Squeegee 1260mm (97142541) -->

Item	Part number	Description	Qty.	Unit	Remarks
1	00059460	Hex.bolt	2		
2	01178290	Conical spring washer	2		
3	01373050	pipe	2		
4	01376740	slide bearing bush	4		
5	01371490	deflector	2		
6	01376180	deflector bow R.H.	1		
7	01071740	Hex.bolt	4		
8	00902280	Washer	4		
9	00971400	Hex. Nut	4		
10	01371530	steering roller	2		
11	01019860	Socket head screw	2		
12	01228240	Washer	2		
13	00711670	Hose	0,305		
14	01090220	Angle screwing	2		
15	01375180	hexagon nut	2		
16	01373740	suction unit 1260mm	1		
17	01371630	star handle yellow	2		
18	01371690	T-screwing in connecting piece	1		
19	01185240	O-ring	1		
20	00711670	Hose	0,860		
21	01371880	enclosure 1260	1		
22	01164420	Lens flange screw	4		
23	01371940	slot strip	1		
23	01372020	slot strip, highly wear-resistant	1		
24	01371900	sealing strip	1		highly wear-resistant
25	01371700	tension band front	1		
26	01371640	tension band rear	1		
27	01375960	deflector bow L.H. 1260	1		
28	01371540	handle	2		



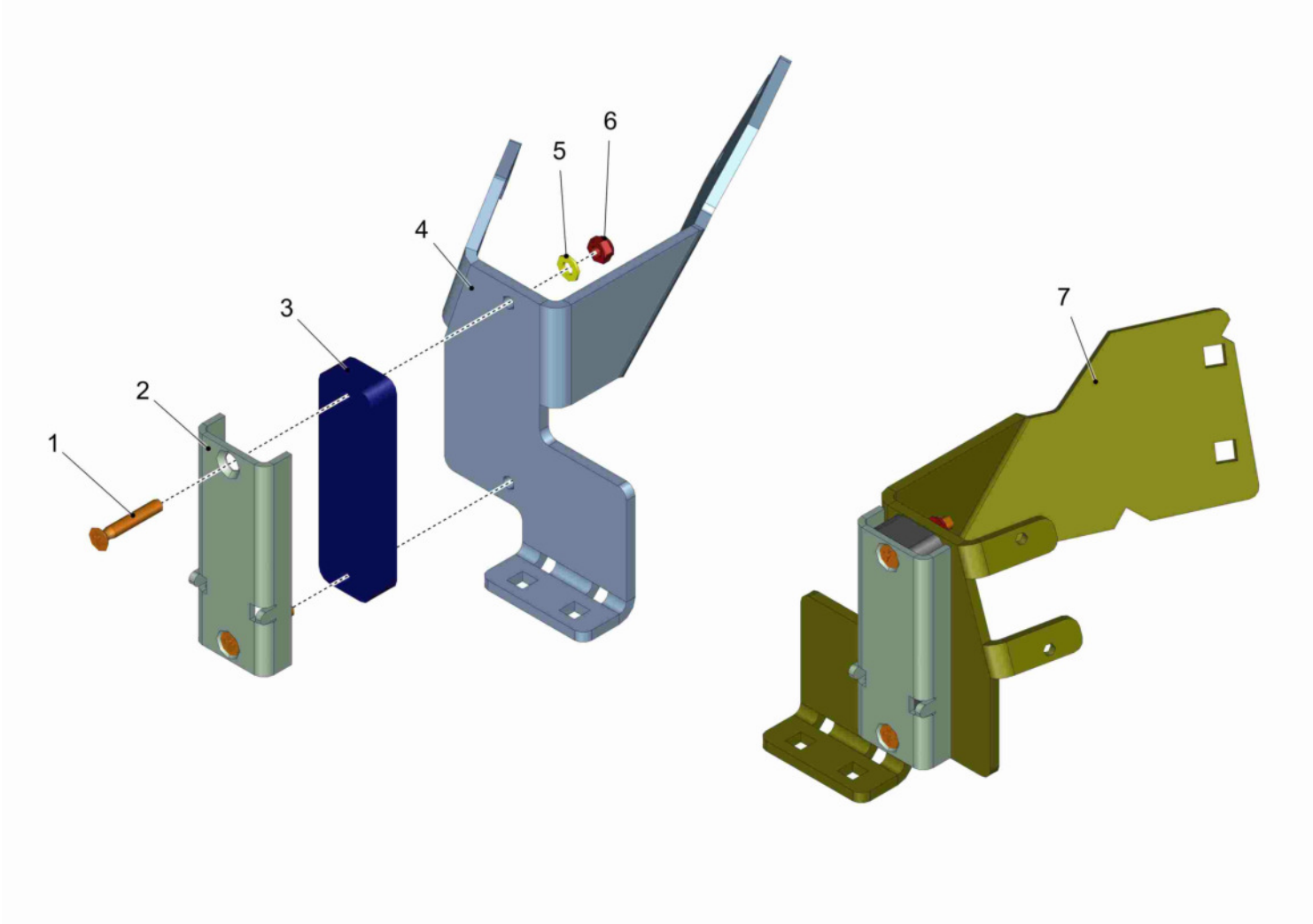
Mounting of equipment and superstructures (97145643 7182-70) -->

Item	Part number	Description	Qty.	Unit	Remarks
1	97150304	Preliminary parts for pre-sweeping unit	Page	155	
2	97159156	Preliminary parts for pre-sweeping unit without driver's canopy	Page	159	



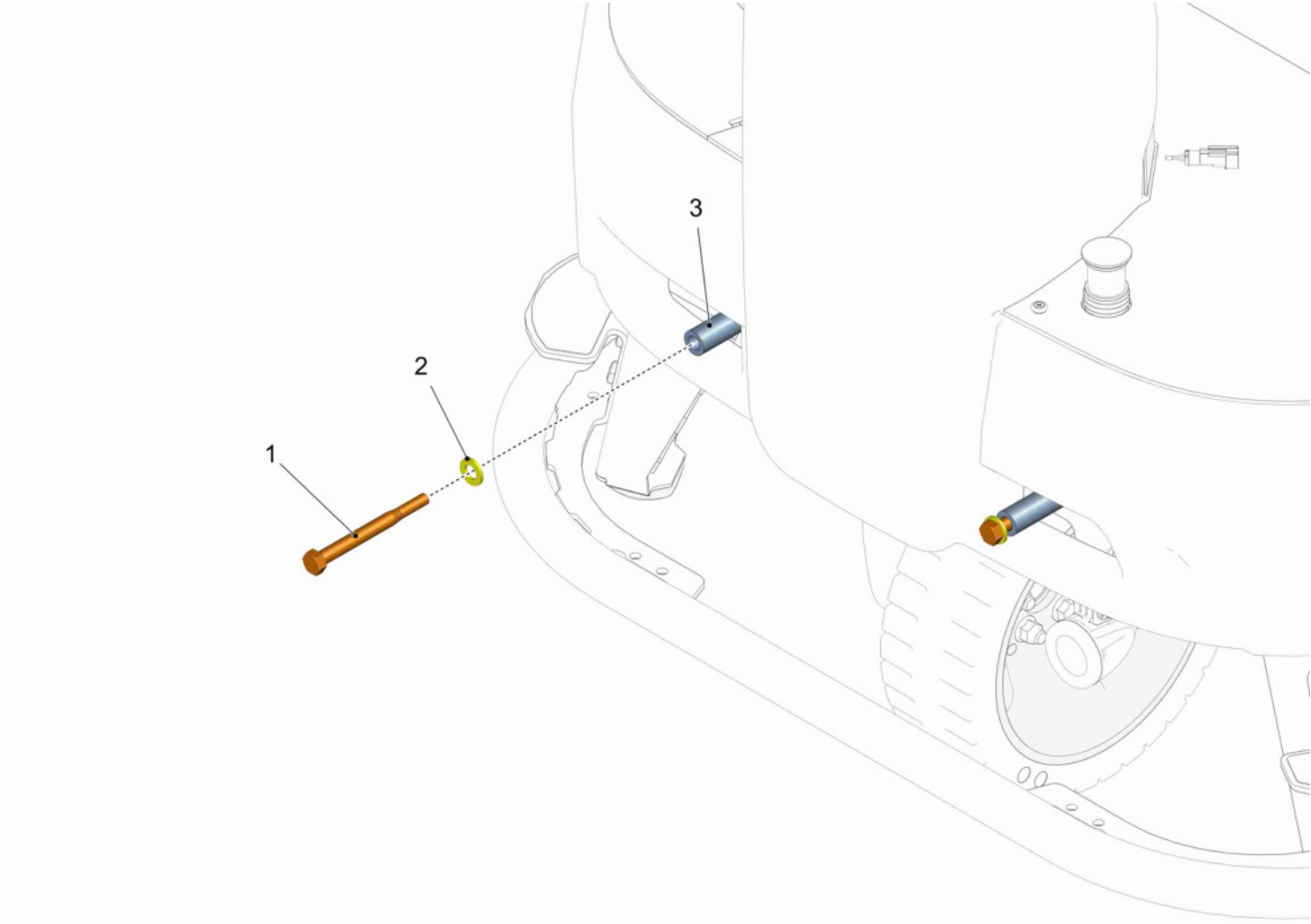
Preliminary parts for pre-sweeping unit (97150304) -->

Item	Part number	Description	Qty.	Unit	Remarks
1	01110570	Screw	4		
2	01496210	Flap lid	1		
3	---	Spare part on request	2		11702214 screw
4	01375500	adapter	1		
5	01498920	connection piece	1		content of wiring harness W54
6	01271700	Bushing	2		
7	97153472-97153480	Preliminary parts for pre-sweeping unit L.H. and R.H.	Page	157	
8	01375760	bracket	1		
9	00053770	Washer	2		
10	00878410	Round head screw	8		
11	00740090	Detent edged washer	8		
12	00053350	Hex. Nut	8		
W54	03022000	wiring harness W54	1		socket, 9 pins - available only with compl. Harness W54



Preliminary parts for pre-sweeping unit L.H. and R.H. (97153472-97153480) -->

Item	Part number	Description	Qty.	Unit	Remarks
1	---	Spare part on request	4		11206505 countersunk screw
2	01375370	support	2		
3	01372250	buffer	2		
4	01376210	counter bearing R.H.	1		
5	00102150	Washer	4		
6	00102140	Hex. Nut	4		
7	01376050	counter bearing L.H.	1		



Preliminary parts for pre-sweeping unit without driver's canopy (97159156) -->

Item	Part number	Description	Qty.	Unit	Remarks
1	00025300	Hex.bolt	2		
2	00053770	Washer	6		
3	01376480	pipe	2		

PowerBoss®
The Power of Clean

'The Power of Clean'

**PowerBoss® is a Full Line Manufacturer of Sweepers and Scrubbers,
for Industrial Facilities.**

PowerBoss®, Minuteman International, Inc. 14N845 U.S. Route 20 Pingree Grove, Illinois 60140
Phone: 800-323-9420 www.PowerBoss.com Email: tech@powerboss.com
A Member of the Hako Group

SM4268D (1080) Riding Scrubber #988776 Rev B 04/21
PowerBoss® Copyright 2021